

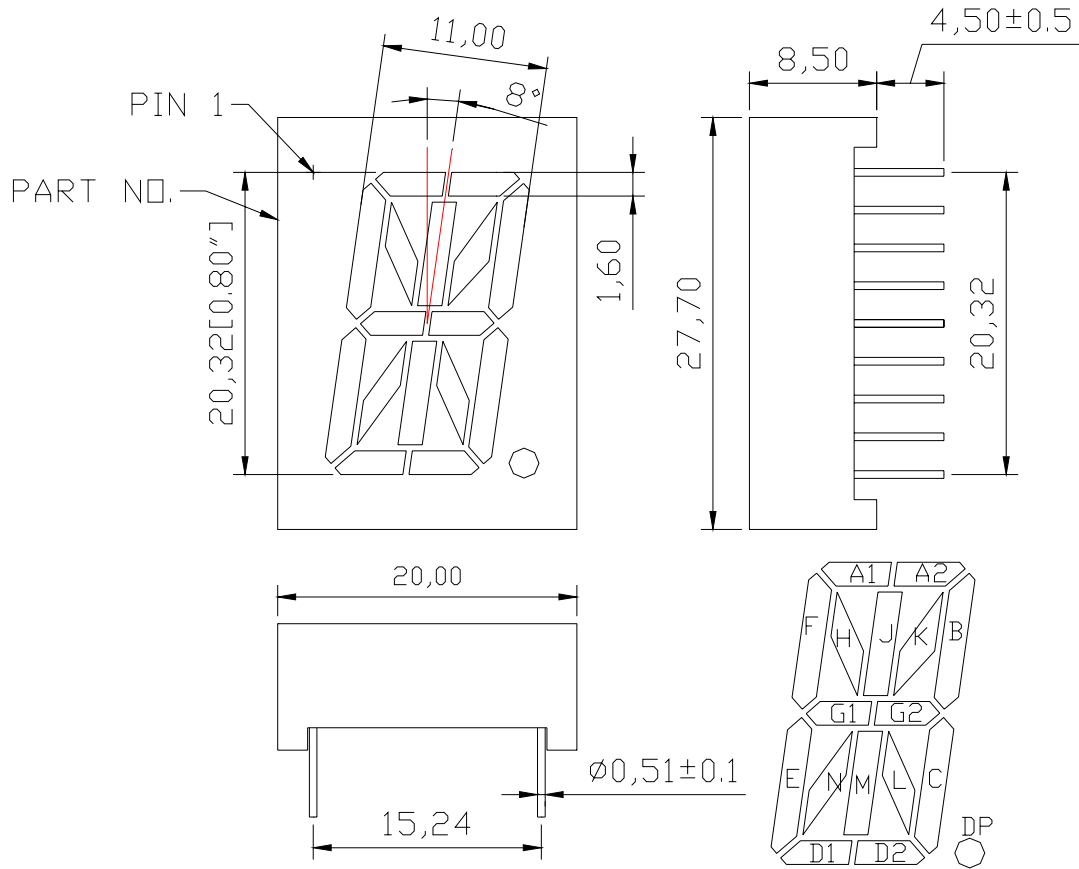
WCN1X-1080SR-A22**SPECIFICATION**

| WCN | | | CUSTOMER Confirmed |
|------------------------|------------|-------------|-----------------------|
| Prepared by | Checked by | Approved by | |
| Fei | Athena | William | |
| REVISION RECORD | | | |



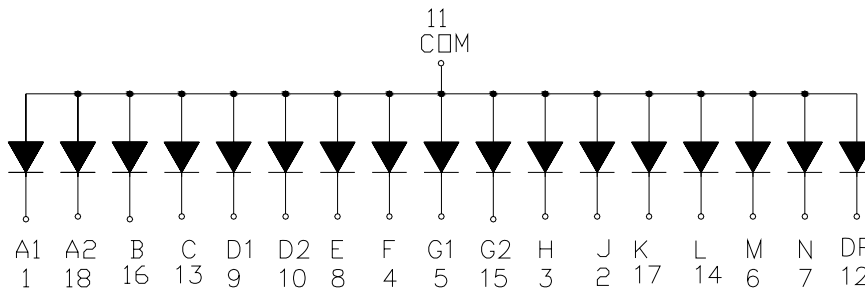
REVISION: A1

■ Outer Dimension:



Notes: Unless otherwise stated, The tolerance is ± 0.25 mm.

■ Circuit Diagram:



■ Pin Connection

| PIN NO. | CONNECTION | PIN NO. | CONNECTION | PIN NO. | CONNECTION |
|---------|------------|---------|--------------|---------|------------|
| 1 | Cathode A1 | 7 | Cathode N | 13 | Cathode C |
| 2 | Cathode J | 8 | Cathode E | 14 | Cathode L |
| 3 | Cathode H | 9 | Cathode D1 | 15 | Cathode G2 |
| 4 | Cathode F | 10 | Cathode D2 | 16 | Cathode B |
| 5 | Cathode G1 | 11 | Common Anode | 17 | Cathode K |
| 6 | Cathode M | 12 | Cathode DP | 18 | Cathode A2 |

WCN Opto Group Co., Limited

■ Features:

- High Reliability
- Color: Red
- Low Power Requirement
- Easy Assembly

■ Description:

- Single Digit Alphanumeric LED Display
- Digit Height: 20.32 mm (0.80")
- Black Face and Milky Segment

■ Absolute Maximum Rating (Ta=25°C):

| Parameter | Symbol | Condition | Color | Rating | Units |
|----------------------------------|------------------|--------------------|-------|---------|-------|
| Power Dissipation Per Segment | P _d | — | Red | 65 | mW |
| Forward Current Per Segment | I _F | — | Red | 25 | mA |
| Peak Forward Current Per Segment | I _{FP} | 1/10 Duty 10KHz | Red | 100 | mA |
| Reverse Voltage Per Segment | V _R | — | Red | 5 | V |
| Operating Temperature Range | T _{opr} | — | — | -35~+85 | °C |
| Storage Temperature Range | T _{stg} | — | — | -35~+85 | °C |

■ Electrical/Optical Characteristics Rating (Ta=25°C)

| Item | Symbol | Test conditions | Location | Rating | | | Units |
|--|------------------|----------------------|-------------|--------|-------|-------|-------|
| | | | | Min. | Typ. | Max. | |
| Forward Voltage | V _F | I _F =20mA | Per Segment | — | 2.00 | 2.60 | V |
| Reverse Current | I _R | V _R =5V | Per Segment | — | — | 100 | μA |
| Luminous Intensity | I _v | I _F =10mA | Per Segment | 7201 | 11000 | 18000 | μcd |
| Peak Emission Wave Length | λ _P | I _F =20mA | Per Segment | — | 638 | — | nm |
| | λ _D | | | — | 633 | | |
| Spectral Line Half Width | Δλ | I _F =20mA | Per Segment | — | 20 | — | nm |
| Luminous Intensity Matching Ratio (Segment to Segment) | I _{v-m} | I _F =10mA | — | — | — | 1.2:1 | |

■ Luminous Intensity Sorting: (Luminous Intensity Tolerance is +/-10%)

| Rank | Symbol | Condition | Min | Max | Unit |
|------|--------|----------------------|-------|-------|------|
| O | O | I _F =10mA | 7201 | 8500 | μcd |
| P | P | I _F =10mA | 8501 | 10500 | μcd |
| Q | Q | I _F =10mA | 10501 | 12800 | μcd |
| R | R | I _F =10mA | 12801 | 15250 | μcd |
| S | S | I _F =10mA | 15251 | 18000 | μcd |

■ Soldering Conditions: Soldering Temp. ≤ +260°C, Soldering Time. ≤ 3sec.
(at 2mm Distance from The Case of Reflector Edge)

■ **Typical Electro-Optical Characteristics Curve:**

Fig 1. Forward Current vs. Forward Voltage



Fig 2. Relative Intensity vs. Forward Current

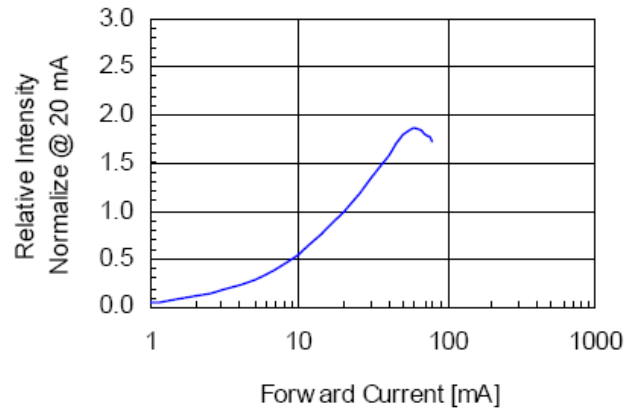


Fig 3. Forward Voltage vs. Temperature



Fig 4. Relative Intensity vs. Temperature

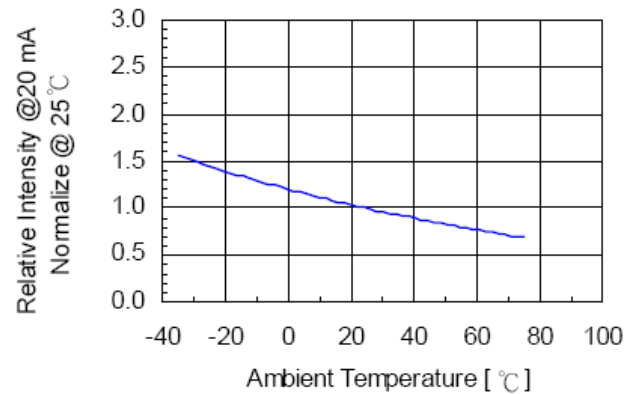
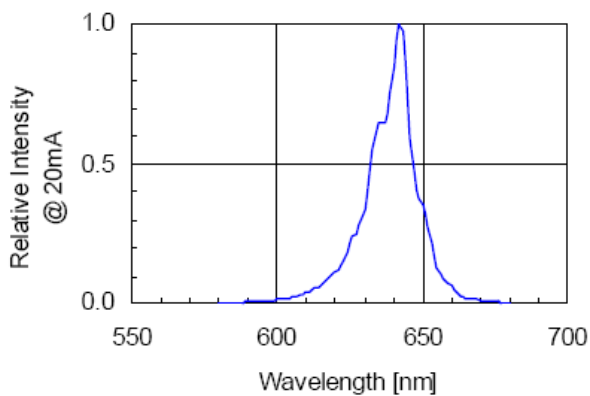


Fig 5. Relative Intensity vs. Wavelength



■ LED Displays Reliability Test:

| CLASSIFICATION | TEST ITEM | DESCRIPTION AND TEST CONDITION |
|--------------------|--|---|
| ENDURANCE TEST | OPERATION LIFE | EVALUATES RESISTANCE OF THE DEVICE WHEN OPERATED AT ELECTRICAL STRESS T_a = UNDER ROOM TEMPERATURE $I_F = I_F \text{ max}$ |
| | HIGH TEMPERATURE HIGH HUMIDITY STORAGE | EVALUATES MOISTURE RESISTANCE OF THE DEVICE WHEN STORED FOR A LONG TERM AT HIGH TEMPERATURE AND HUMIDITY $T_a = 65 \pm 5^\circ\text{C}$ RH=90~95%RH TEST TIME=240± 2Hrs |
| | HIGH TEMPERATURE STORAGE | EVALUATES DEVICE DURABILITY FOR LONG TERM STORAGE IN HIGH TEMPERATURE $T_a = 85 \pm 5^\circ\text{C}$ (COB: $T_a = 65 \pm 5^\circ\text{C}$) TEST TIME=1000Hrs(-24Hrs, +72Hrs) |
| | LOW TEMPERATURE STORAGE | EVALUATES DEVICE DURABILITY FOR LONG TERM STORAGE IN LOW TEMPERATURE $T_a = -35 \pm 5^\circ\text{C}$ TEST TIME=1000Hrs(-24Hrs, +72Hrs) |
| ENVIRONMENTAL TEST | TEMPERATURE CYCLING | EVALUATES RESISTANCE OF DEVICE AT THERMAL STRESSES OR EXPANSION AND CONTRACTION $85^\circ\text{C} \sim 25^\circ\text{C} \sim -35^\circ\text{C} \sim 25^\circ\text{C}$ 30min 5min 30min 5min 10 CYCLES(COB: $T_{\text{hot}}=65^\circ\text{C}$, $T_{\text{cold}}=-25^\circ\text{C}$) |
| | THERMAL SHOCK | EVALUATES DEVICE STRUCTURE AND STRUCTURE AND MECHANICAL RESISTANCE WHEN SUDDENLY EXPOSED AT SERVE CHANGES $85 \pm 5^\circ\text{C} \sim -35 \pm 5^\circ\text{C}$ 10min 10min 10 CYCLES(COB: $T_{\text{hot}}=65^\circ\text{C}$, $T_{\text{cold}}=-25^\circ\text{C}$) |
| | SOLDERABILITY | EVALUATES SOLDERABILITY ON LEADS OF DEVICE $T_{\text{SOL}}=230 \pm 5^\circ\text{C}$ DWELL TIME=5±1sec. |
| | SOLDER RESISTANCE | EVALUATES RESISTANCE TO THERMAL STRESS CAUSED BY SOLDERING $T_{\text{SOL}}=260 \pm 5^\circ\text{C}$ DWELL TIME=10±1sec. |

■ Package method 1:

80 pcs / Red Expandable Polyethylene.

480 pcs / Box(360*175*130mm).

2880 pcs / Catton(550*380*280mm).

■ Package method 2:

18 pcs / IC Tube.

756 pcs / Box(537*175*125mm).

3024 pcs / Catton(550*380*280mm).