

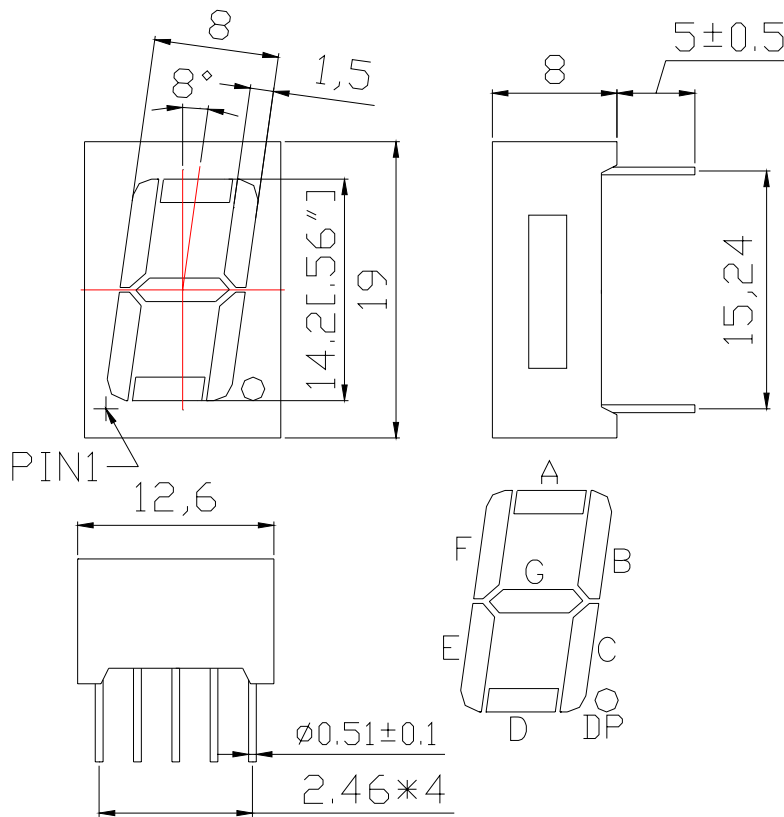
# **WCN1-1056SR-A13R**

## **SPECIFICATION**

<b>WCN</b>			<b>CUSTOMER Confirmed</b>
<b>Prepared by</b>	<b>Checked by</b>	<b>Approved by</b>	
<b>Liu</b> <b>2014-1-17</b>	<b>Athena</b>		

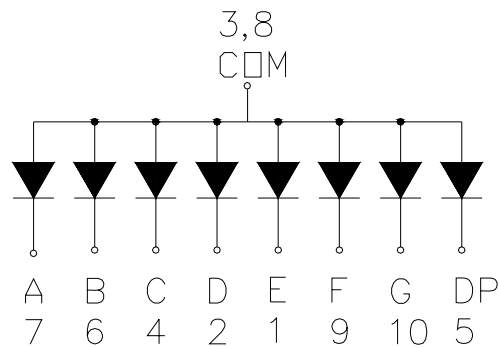
**REVISION: A0**

### Outer Dimension:



Notes: Unless otherwise stated, The tolerance is  $\pm 0.25$ mm.

### Circuit Diagram



### Pin Connection:

PIN NO.	CONNECTION	PIN NO.	CONNECTION
1	Cathode E	6	Cathode B
2	Cathode D	7	Cathode A
3	Common Anode	8	Common Anode
4	Cathode C	9	Cathode F
5	Cathode DP	10	Cathode G

■ **Features:**

- High Reliability
- Color: Red
- Low Power Requirement
- Easy Assembly

■ **Description:**

- Single Digit LED Display
- Digit Height: 14.2 mm (0.56" )
- Gray Face and Milky Segment

■ **Absolute Maximum Rating (Ta=25°C):**

Parameter	Symbol	Condition	Color	Rating	Units
Power Dissipation Per Segment	P <sub>d</sub>	—	Red	65	mW
Forward Current Per Segment	I <sub>F</sub>	—	Red	25	mA
Derating Of If Per Segment	△I <sub>F</sub>	T <sub>a</sub> ≥ 25°C	Red	0.30	mA/°C
Peak Forward Current Per Segment	I <sub>FP</sub>	1/10 Duty 10KHz	Red	100	mA
Reverse Voltage Per Segment	V <sub>R</sub>	—	Red	5	V
Operating Temperature Range	T <sub>opr</sub>	—	—	-35~+85	°C
Storage Temperature Range	T <sub>stg</sub>	—	—	-35~+85	°C

■ **Electrical/Optical Characteristics Rating(Ta=25°C)**

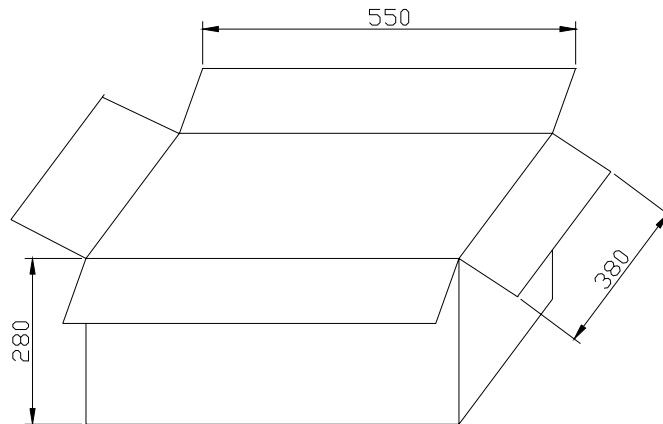
Item	Symbol	Test conditions	Location	Rating			Units
				Min.	Typ.	Max.	
Forward Voltage	V <sub>F</sub>	I <sub>F</sub> =20mA	Per Segment	—	2.10	2.60	V
Reverse Current	I <sub>R</sub>	V <sub>R</sub> =5V	Per Segment	—	—	100	μA
Luminous Intensity	I <sub>V</sub>	I <sub>F</sub> =10mA	Per Segment	5.05	10.0	—	mcd
Peak Emission Wave Length	λ <sub>P</sub>	I <sub>F</sub> =20mA	Per Segment	—	645	—	nm
	λ <sub>D</sub>				638		
Spectral Line Half Width	△λ	I <sub>F</sub> =20mA	Per Segment	—	20	—	nm
Luminous Intensity Matching Ratio (Segment to Segment)	I <sub>v-m</sub>	I <sub>F</sub> =10mA	—	—	—	2:1	

■ **Luminous Intensity Sorting: (Luminous Intensity Tolerance is +/-10%)**

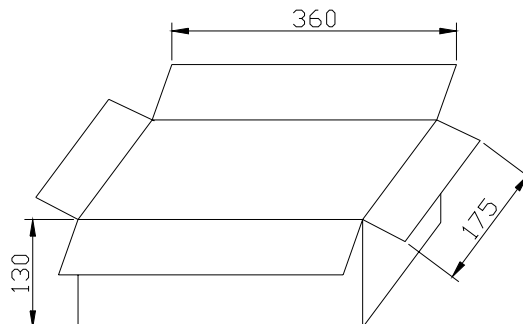
Rank	Symbol	Condition	Min	Max	Unit
K	K	I <sub>F</sub> =10mA	5.05	8.0	mcd
L	L	I <sub>F</sub> =10mA	8.01	12.6	mcd
M	M	I <sub>F</sub> =10mA	12.65	20.0	mcd

■ **Soldering Conditions: Soldering Temp. ≤ +260°C, Soldering Time. ≤ 3sec.**

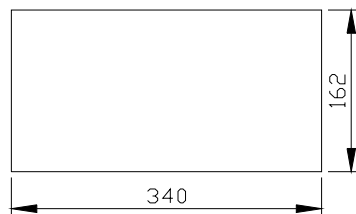
(at 2mm Distance from The Case of Reflector Edge)

**■ Outer Carton Dimension:**

- Note:** 1. An Outer carton contained 6 Inner cartons and 7320 PCS products.  
2. Unless otherwise stated, the tolerance is +5mm / -0mm.  
3. The carton material is A=A Brown Paper.

**■ Inner Carton Dimension:**

- Note:** 1. An Inner carton contained 7 PCS Foam Board and 1220 PCS products.  
2. Unless otherwise stated, the tolerance is  $\pm 3$  mm.

**■ Steamed Foam Dimension:**

- Note:** 1. A Steamed Foam contained 175 PCS products.  
2. Unless otherwise stated, The tolerance is  $\pm 2$  mm.