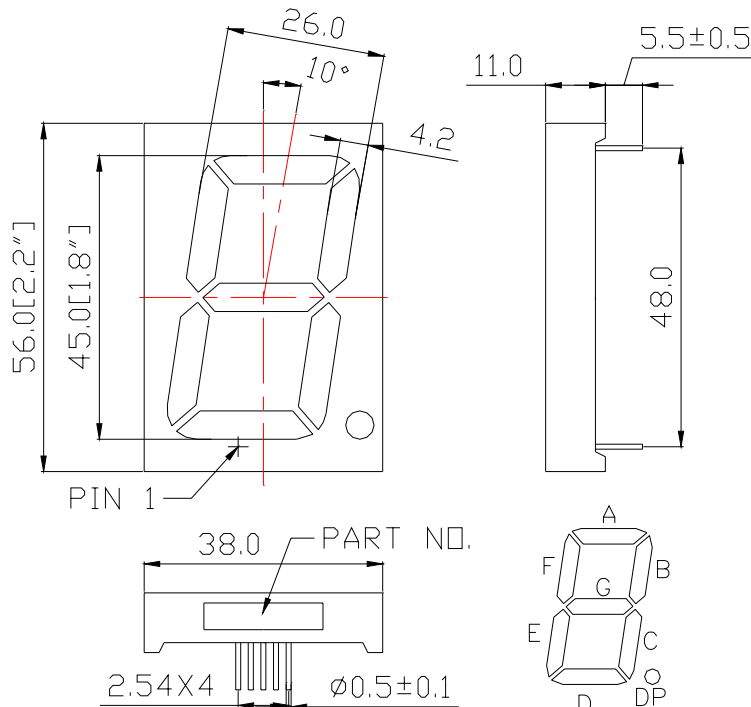


WCN1-10A8R6-A11S**SPECIFICATION**

WCN			CUSTOMER
NOTE:			

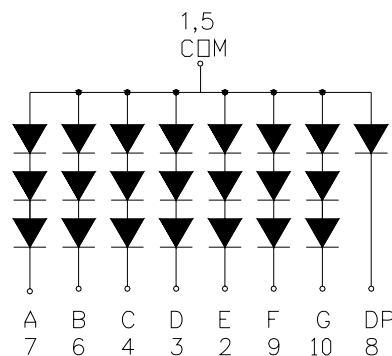
REVISION: 01

Outer Dimension:



Notes: Unless otherwise stated, The tolerance is $\pm 0.25\text{mm}$.

Circuit Diagram:



Pin Connection

PIN NO.	CONNECTION	PIN NO.	CONNECTION
1	Common Anode	6	Cathode B
2	Cathode E	7	Cathode A
3	Cathode D	8	Common DP
4	Cathode C	9	Cathode F
5	Common Anode	10	Cathode G

World Components Network Service Ltd

■ **Features:**

- High Reliability
- Color: Red
- Low Power Requirement
- Easy Assembly

■ **Description:**

- Single Digit Display
- Digit Height:45.0 mm(1.8")
- Grace Face and Molding With Milky Epoxy

■ **Absolute Maximum Rating (Ta=25°C):**

Parameter	Symbol	Condition	Color	Rating	Units
Power Dissipation Segment	P _d	—	Red	100	mW
Forward Current Segment	I _F	—	Red	25	mA
Derating Of I _F Per Segment	△I _F	T _a ≥ 25°C	Red	0.30	mA/°C
Peak Forward Current Per Segment	I _{FP}	1/10 Duty 10KHz	Red	100	mA
Reverse Voltage Per Segment	V _R	—	Red	15	V
Operating Temperature Range	T _{opr}	—	Red	-35~+85	°C
Storage Temperature Range	T _{stg}	—	Red	-35~+85	°C

■ **Electrical/Optical Characteristics Rating(Ta=25°C)**

Item	Symbol	Test conditions	Location	Color	Rating			Units
					Min.	Typ.	Max.	
Forward Voltage	V _F	I _F =20mA	Per Segment	Red	—	6.3/2.1	7.2/2.4	V
Reverse Current	I _R	V _R =15V	Per Segment	Red	—	—	100	μA
Luminous Intensity	I _V	I _F =10mA	Per Segment	Red	---	45.0	—	mcd
Peak Emission Wave Length	λ _P	I _F =20mA	Per Segment	Red	—	635	—	nm
	λ _D					628		
Spectral Line Half Width	△λ	I _F =20mA	Per Segment	Red	—	20	—	nm
Luminous Intensity Matching Ratio	I _{v-m}	I _F =20mA					2:1	

■ **Soldering Conditions: Soldering Temp. ≤ +260°C**

Soldering Time. ≤ 3sec.

(at 2mm Distance from The Case of Reflector Edge)