

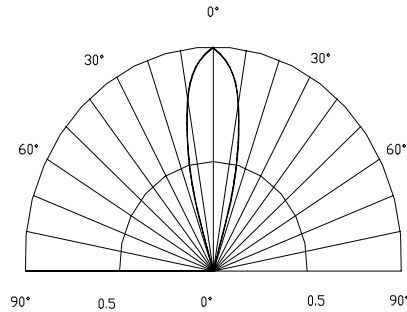
### ■Features

- High Power LEDs
- 3mm Standard Directivity
- Superior Weather-resistance
- UV Resistant Epoxy
- Water Clear Type

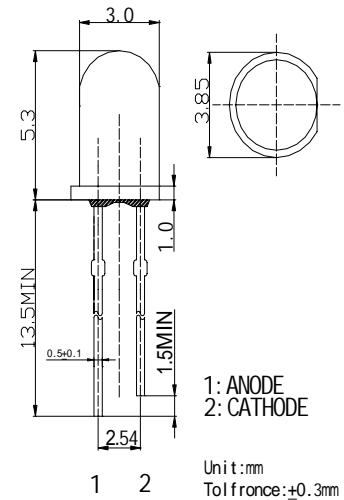
### ■Applications

- General Purpose Indicators
- Small Area Illuminations
- Back Lighting

### ■Directivity



### ■Outline Dimension

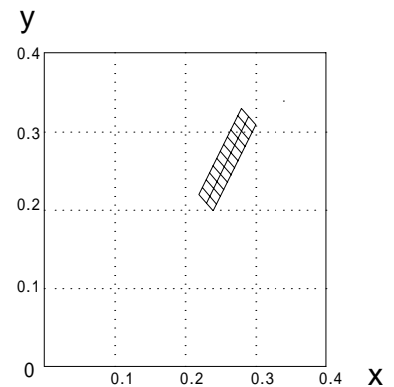


### ■Absolute Maximum Rating (Ta=25 °C)

Item	Symbol	Value	Unit
DC Forward Current	$I_F$	30	mA
Pulse Forward Current*	$I_{FP}$	100	mA
Reverse Voltage	$V_R$	5	V
Power Dissipation	$P_D$	120	mW
Operating Temperature	$T_{opr}$	-30~+80	
Storage Temperature	$T_{stg}$	-30~+100	
Lead Soldering Temperature	$T_{sol}$	260 /3sec	-

\*Pulse width Max.10ms Duty ratio max 1/10

### Chromaticity Ranks



### ■Electrical -Optical Characteristics (Ta=25 °C)

Item	Symbol	Condition	Min.	Typ.	Max.	Unit
DC Forward Voltage	$V_F$	$I_F=20mA$	2.8	3.4	4.0	V
DC Reverse Current	$I_R$	$V_R=5V$	-	-	10	$\mu A$
Luminous Intensity	$I_V$	$I_F=20mA$	3,000	3,500	4,200	mcd
50% Power Angle	$2\theta_{1/2}$	$I_F=20mA$	-	30	-	deg

\*Please refer to CIE 1931 chromaticity diagram.

### Chromaticity Coordinate (IF=20mA)

Rank	Chromaticity		Rank	Chromaticity	
	x	y		x	y
A1	0.240	0.200	A2	0.230	0.210
	0.230	0.210		0.220	0.220
	0.250	0.275		0.240	0.257
	0.260	0.283		0.250	0.275