



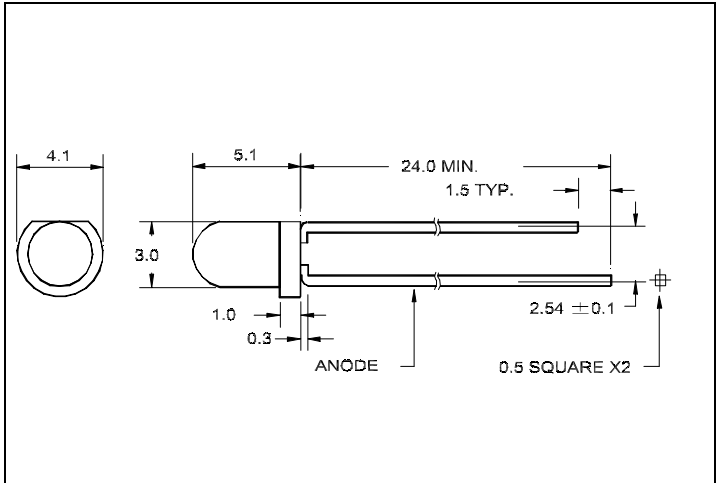
3.0mm ROUND LED LAMP

LT03XX-41 SERIES

Features

- *LOW CURRENT REQUIREMENTS
- *HIGH LIGHT OUTPUT
- *IC COMPATIBLE

Package Dimensions



NOTES:

1. All dimensions are in millimeters.
2. Tolerance is ± 0.25 mm unless otherwise noted.
3. An epoxy meniscus may extend about 1.0mm down the leads.
4. Burr around bottom of epoxy body may be 0.5mm MAX.

Absolute Maximum Ratings at $T_A=25^\circ\text{C}$

REVERSE VOLTAGE (<math><100\mu\text{A}</math>)	GaAsP RED 3.0V, OTHER 5.0 V
D.C. FORWARD CURRENT	30 mA
PULSE CURRENT (1/10 DUTY CYCLE, 0.1ms PULSE WIDTH)	100 mA
OPERATING TEMPERATURE RANGE	-25°C TO +85°C
STORAGE TEMPERATURE RANGE	-25°C TO +100°C
LEAD SOLDERING TEMP. (1.6mm FROM BODY)	260°C FOR 5 SEC.

Electrical/Optical Characteristics at T_A=25°C

PART NUMBER	LED CHIP		LEN'S COLOR	PEAK WAVELENGTH @20mA(nm)	FORWARD VOLTAGE @20mA(V)		LUMINOUS INTENSITY @20mA(mcd)		VIEW ANGLE 2q _{1/2} (deg)
	MATERIAL	EMITTING COLOR			TYP.	MAX.	MIN.	TYP.	
LT0311-41	GaAsP	RED	R.D.	655	1.7	2.0	1.1	1.8	56
LT0312-41			W.D.						
LT0311G-41	GaP	RED	R.D.	700	2.1	3.0	1.6	2.7	56
LT0312G-41			W.D.						
LT0321-41	GaP	GREEN	G.D.	567	2.1	2.6	8.0	13.3	56
LT0322-41			W.D.						
LT0331-41	GaAsP ON GaP	YELLOW	Y.D.	585	2.1	3.0	6.6	11.0	56
LT0332-41			W.D.						
LT0341-41	GaAsP ON GaP	ORANGE	O.D.	635	2.1	3.0	9.3	15.5	56
LT0342-41			W.D.						
LT0341R-41			R.D.						
LT03A1-41	GaAsP ON GaP	AMBER	A.D.	610	2.1	3.0	9.3	15.5	56
LT03A2-41			W.D.						
LT03P1-41	GaP	PURE GREEN	G.D.	555	2.1	2.6	2.7	4.5	56
LT03P2-41			W.D.						
LT03S1-41	GaP	STANDARD GREEN	G.D.	560	2.1	2.6	2.7	4.5	56
LT03S2-41			W.D.						

(1) LEN'S COLOR

R.D RED DIFFUSED

G.D GREEN DIFFUSED

Y.D YELLOW DIFFUSED

O.D ORANGE DIFFUSED

A.D AMBER DIFFUSED

W.D WHITE DIFFUSED

(2) SPECIFICATIONS ARE SUBJECT TO CHANGE WITHOUT NOTICE.

(3) ALL ABOVE COMPONENTS ARE CONSIDERED . DEVIATIONS FROM STATED SPECIFICATIONS WILL REQUIRE A NEW PART NUMBER BE ASSIGNED.

Electrical/Optical Characteristics at T_A=25°C

PART NUMBER	LED CHIP		LEN'S COLOR	PEAK WAVELENGTH @20mA(nm)	FORWARD VOLTAGE @20mA(V)		LUMINOUS INTENSITY @20mA(mcd)		VIEW ANGLE 2q _{1/2} (deg)
	MATERIAL	EMITTING COLOR			TYP.	MAX.	MIN.	TYP.	
LT0313-41	GaAsP	RED	W.C.	655	1.7	2.0	3.7	6.1	36
LT0314-41			R.C.						
LT0313G-41	GaP	RED	W.C.	700	2.1	3.0	5.5	9.2	36
LT0314G-41			R.C.						
LT0323-41	GaP	GREEN	W.C.	567	2.1	2.6	27.0	45.0	36
LT0324-41			G.C.						
LT0333-41	GaAsP ON GaP	YELLOW	W.C.	585	2.1	3.0	22.6	37.6	36
LT0334-41			Y.C.						
LT0343-41	GaAsP ON GaP	ORANGE	W.C.	635	2.1	3.0	31.7	52.9	36
LT0344-41			O.C.						
LT0344R-41			R.C.						
LT03A3-41	GaAsP ON GaP	AMBER	W.C.	610	2.1	3.0	31.7	52.9	36
LT03A4-41			A.C.						
LT03P3-41	GaP	PURE GREEN	W.C.	555	2.1	2.6	9.0	15.0	36
LT03P4-41			G.C.						
LT03S3-41	GaP	STANDARD GREEN	W.C.	560	2.1	2.6	9.0	15.0	36
LT03S4-41			G.C.						

(1) LEN'S COLOR

R.C RED CLEAR

G.C GREEN CLEAR

Y.C YELLOW CLEAR

O.C ORANGE CLEAR

A.C AMBER CLEAR

W.C WATER CLEAR

(2) SPECIFICATIONS ARE SUBJECT TO CHANGE WITHOUT NOTICE.

(3) ALL ABOVE COMPONENTS ARE CONSIDERED . DEVIATIONS FROM STATED SPECIFICATIONS WILL REQUIRE A NEW PART NUMBER BE ASSIGNED.

Typical Electrical/Optical Characteristic Curves (25°C Ambient Temperature Unless Otherwise Noted)

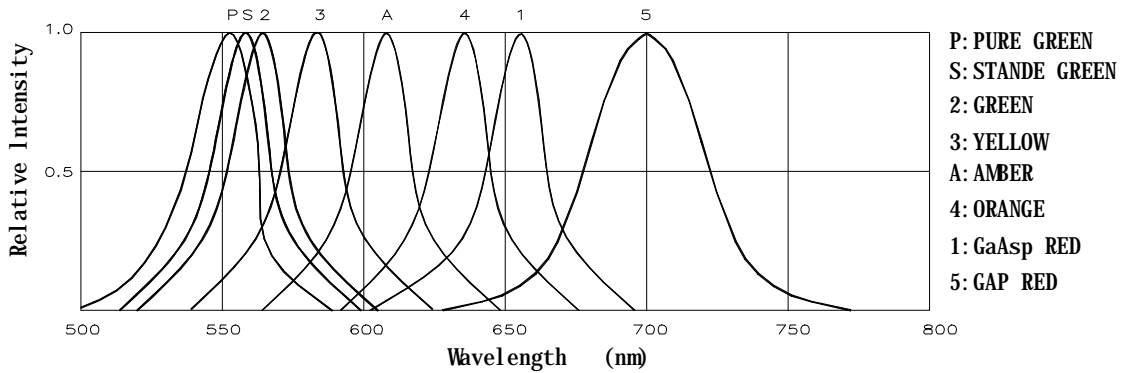


Fig.1 RELATIVE INTENSITY VS. WAVELENGTH

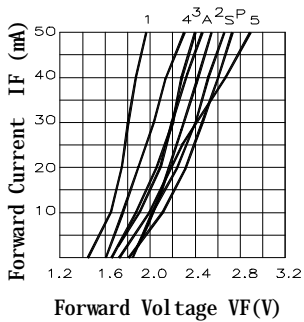


Fig.2 FORWARD CURRENT VS.
FORWARD VOLTAGE

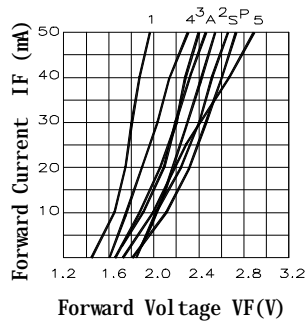


Fig.3 FORWARD CURRENT
DERATING CURVE

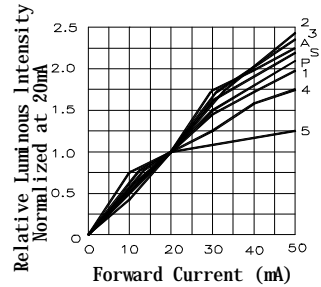


Fig.4 RELATIVE LUMINOUS
INTENSITY VS. FORWARD
CURRENT

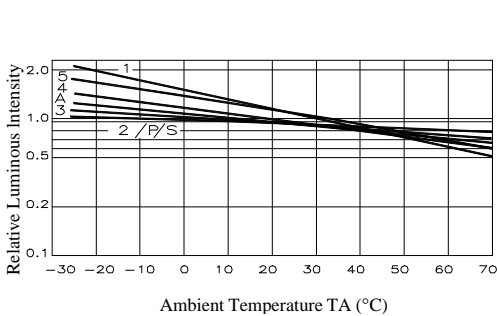


Fig.5 LUMINOUS INTENSITY VS.
AMBIENT TEMPERATURE

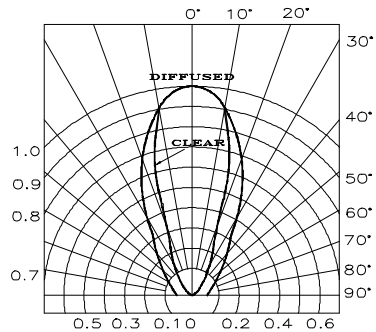


Fig.6 RADIATION PATTERN