



· NANYA ROAD,MUGANG ZHAOQING
· CITY GUANGDONG CHINA.

· TEL:86-758-2875541,2870651,2877464,2876185,2877017

· FAX:86-758-2878014

· [Http://www.ledtech.com.tw](http://www.ledtech.com.tw)

LEDTECH ELECTRONICS CORP.

SPECIFICATION

PART NO. : LT5221-41-D71

2.0×5.0MM RECTANGULAR LED LAMP

Approved by	Checked by	Prepared by
<i>San</i>	<i>Jang</i>	<i>Bao Min</i>



2.0×5.0MM RECTANGULAR LED LAMP

PART NO. : LT5221-41-D71

Page : 1/5

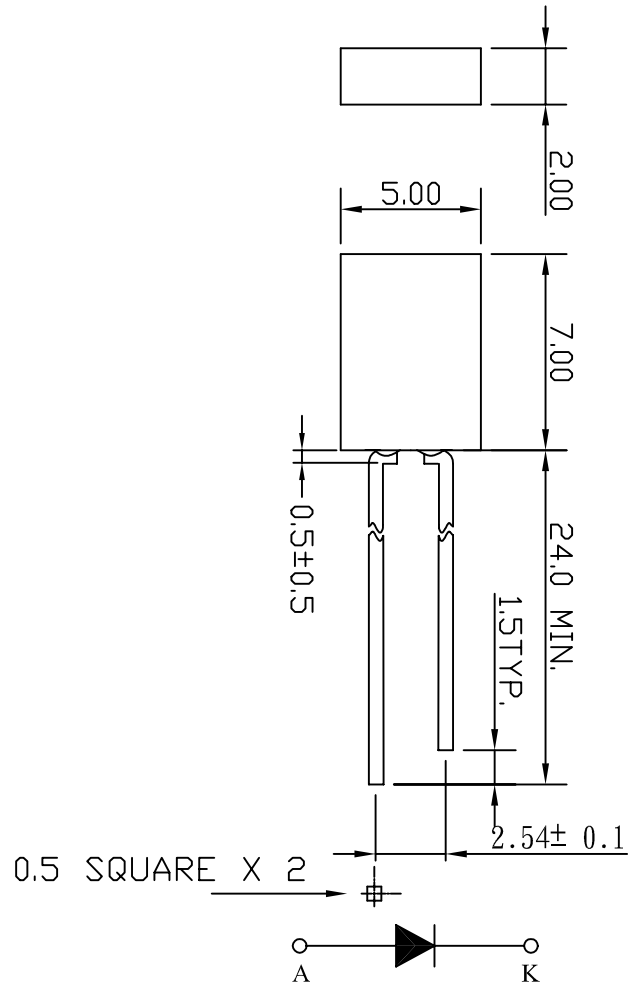
Features

- * High intensity
- * Reliable and rugged
- * Low current requirement
- * IC compatible

Description

The Green lamp are made with GaP/GaP chip and green diffused epoxy resin.

Package Dimensions



Notes:

- 1.All dimensions are in millimeters.
- 2.Tolerance is ± 0.25 mm unless otherwise noted.

Part No.	Led Chip		Lens Color
	Material	Emitting Color	
LT5221-41-D71	GaP/GaP	Green	Green diffused



2.0×5.0MM RECTANGULAR LED LAMP

PART NO. : LT5221-41-D71

Page : 2/5

Absolute Maximum Ratings at Ta=25°C :

Parameter	Symbol	Rating	Unit
Power Dissipation	Pd	78	mW
Reverse Voltage	Vr	5	V
D.C. Forward Current	If	30	mA
Peak Current (1/10 Duty Cycle , 0.1 ms Pulse Width)	If(Peak)	100	mA
Operating Temperature Range	Topr	-25 to +85	°C
Storage Temperature Range	Tstg	-40 to +100	°C
Lead Soldering Temp.(1.6mm from body) for 5 seconds		260	°C

Electrical and Optical Characteristics :

Parameter	Symbol	Condition	Min.	Typ.	Max.	Unit
Luminous Intensity	Iv	If=20mA	6.0	10.0		mcd
Forward Voltage	Vf	If=20mA		2.1	2.6	V
Peak Wavelength	λP	If=20mA		567		nm
Dominant Wavelength	λD	If=20mA		572		nm
Reverse Current	Ir	Vr=5V			100	μA
Viewing Angle	$2\theta 1/2$	If=20mA		84		deg
Spectrum Line Halfwidth	$\Delta \lambda$	If=20mA		30		nm

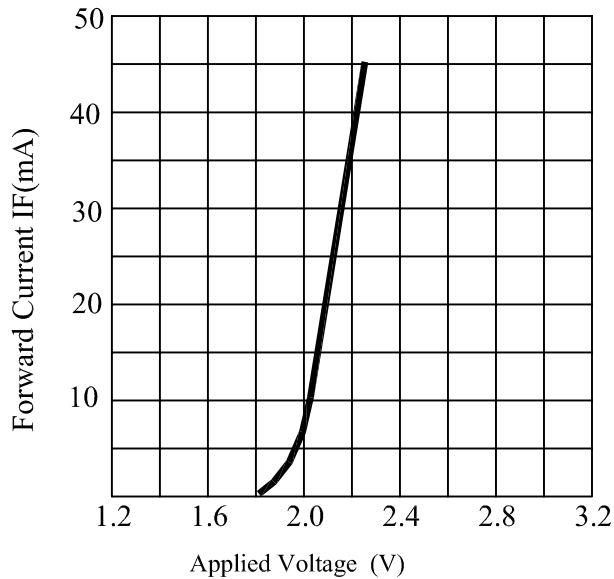


2.0×5.0MM RECTANGULAR LED LAMP

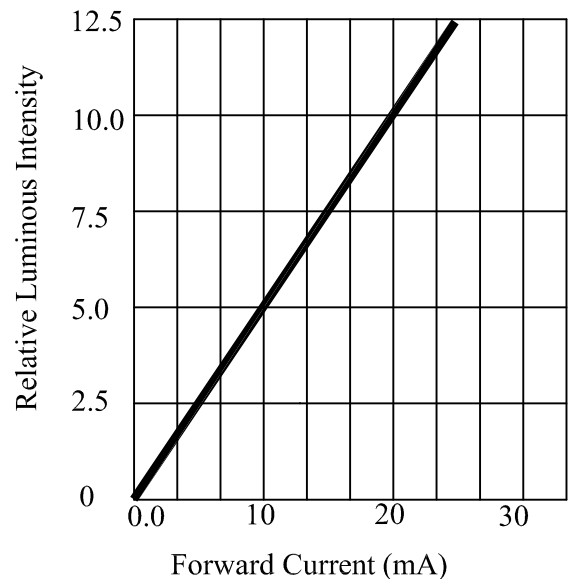
PART NO. : LT5221-41-D71

Page : 3/5

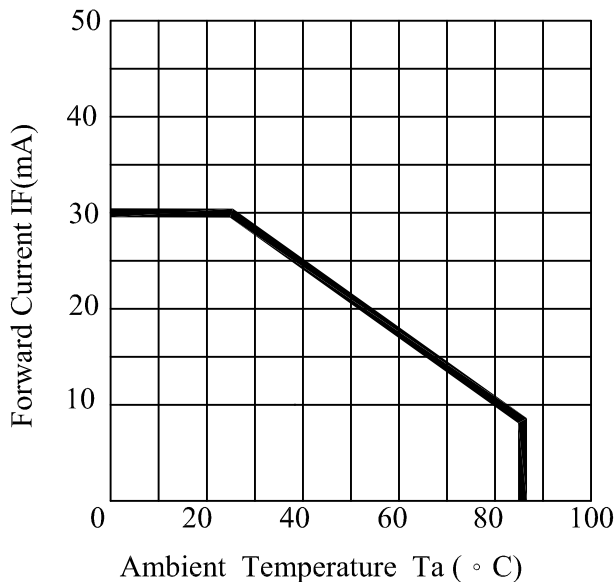
Typical Electrical / Optical Characteristics Curves :



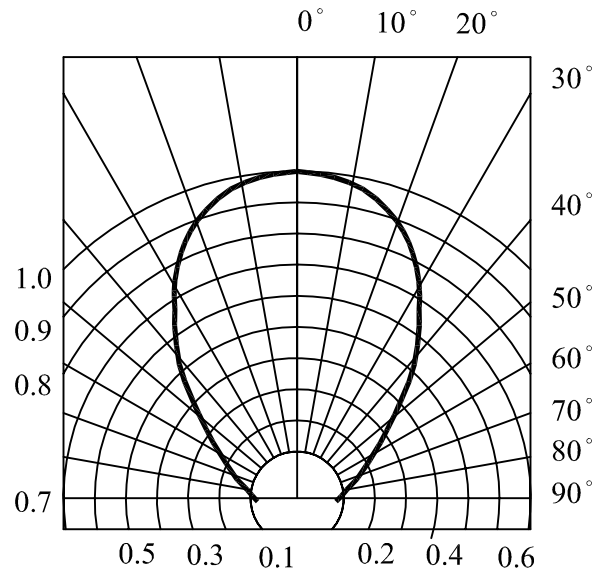
FORWARD CURRENT VS. APPLIED VOLTAGE



FORWARD CURRENT VS. LUMINOUS INTENSITY



AMBIENT TEMPERATURE VS. FORWARD CURRENT



RADIATION DIAGRAM



2.0×5.0MM RECTANGULAR LED LAMP

PART NO. : LT5221-41-D71

Page : 4/5

Reliability Test Method :

Test Item	Test Condition	Duration Time
Operation Life	If=20mA / Ta=25°C	168hrs
Storage at High Temperature	Ta=100°C	168hrs
Storage at Low Temperature	Ta=-40°C	168hrs
Storage at High Temperature/High Humidity	Ta=85°C /RH=85%	168hrs
Operating at High Temperature	Ta=85°C / If=20mA	168hrs
Operating at Low Temperature	Ta=25°C / If=20mA	168hrs
Thermal Shock	Ta/T=100°C/30min~ -40°C/30min	10 cycles
Solderability	Tsol=230°C	5 sec

Criteria for Judging The Damage:

Item	Symbol	Test Condition	Criteria for Judgment	
			Min.	Max.
Forward Voltage	Vf	If=20mA	-----	Initial Data x1.1
Reverse Current	Ir	Vr=5V	-----	100 μ A
Luminous Intensity	Iv	If=20mA	Initial Data x0.8	-----



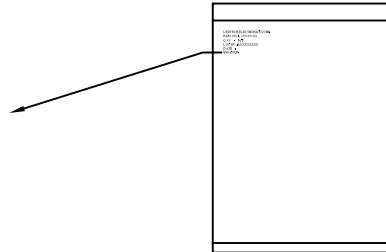
2.0x5.0MM RECTANGULAR LED LAMP

PART NO. : LT5221-41-D71

ENCASED TYPE

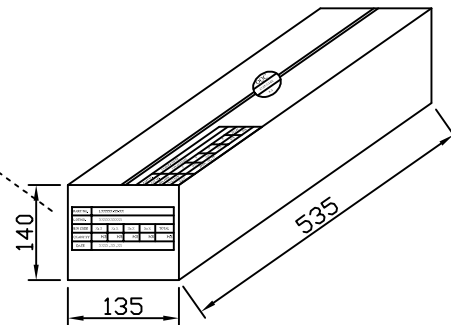
PLASTIC PACKAGE
 QUANTITY: 1,000 PCS

LEDTECH ELECTRONICS CORP.					
PART NO :LTXXXX-XX					
Q'TY	: PCS				
LOT NO	:XXXXXXXXXX				
DATE	:				
BIN CODE:					



INNER BOX
 QUANTITY: 15 PACKETS
 TOTAL: 15,000 PCS

PART NO.	LXXXX-XX-XX				
LOT NO.	XXXXXXXXXX				
BIN CODE	Xx X	Xx X	Xx X	Xx X	TOTAL
QUANTITY	PCS	PCS	PCS	PCS	PCS
DATE	XXXX, XX, XX				



OUTER CARTON
 QUANTITY: 4 BOX
 TOTAL: 60,000 PCS

C/T NO. 箱號	XX
PART NO. 料號	LXXXX-XX-XX
QUANTITY 數量	PCS
N.W. 淨重	KGS
G.W. 毛重	KGS
REMARK 備註	

