



· NANYA ROAD,MUGANG ZHAOQING  
· CITY GUANGDONG CHINA.

· TEL:86-758-2875541,2870651,2877464,2876185,2877017

· FAX:86-758-2878014

· [Http://www.ledtech.com.tw](http://www.ledtech.com.tw)

LEDTECH ELECTRONICS CORP.

# SPECIFICATION

*PART NO. : LT5231-41-D29*

*2.0×5.0MM RECTANGULAR LED LAMP*

Approved by	Checked by	Prepared by
<i>San</i>	<i>Jang</i>	<i>Bao Min</i>



## 2.0×5.0MM RECTANGULAR LED LAMP

PART NO. : LT5231-41-D29

Page : 1/5

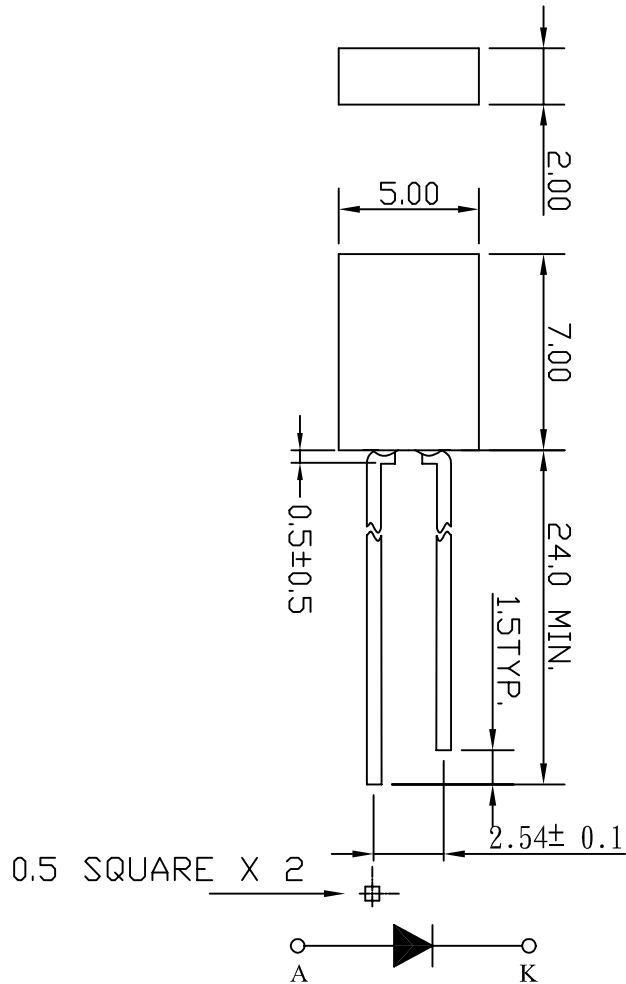
### Features

- \* High intensity
- \* Reliable and rugged
- \* Low current requirement
- \* IC compatible

### Description

The Yellow lamp are made with GaAsP/GaP chip and yellow diffused epoxy resin.

### Package Dimensions



Notes:

- 1.All dimensions are in millimeters.
- 2.Tolerance is  $\pm 0.25$ mm unless otherwise noted.

Part No.	Led Chip		Lens Color
	Material	Emitting Color	
LT5231-41-D29	GaAsP/GaP	Yellow	Yellow diffused



**2.0×5.0MM RECTANGULAR LED LAMP**  
**PART NO. : LT5231-41-D29**

Page : 2/5

**Absolute Maximum Ratings at Ta=25°C :**

Parameter	Symbol	Rating	Unit
Power Dissipation	Pd	78	mW
Reverse Voltage	Vr	5	V
D.C. Forward Current	If	30	mA
Peak Current (1/10 Duty Cycle , 0.1 ms Pulse Width)	If(Peak)	100	mA
Operating Temperature Range	Topr	-25 to +85	°C
Storage Temperature Range	Tstg	-40 to +100	°C
Lead Soldering Temp.(1.6mm from body) for 5 seconds		260	°C

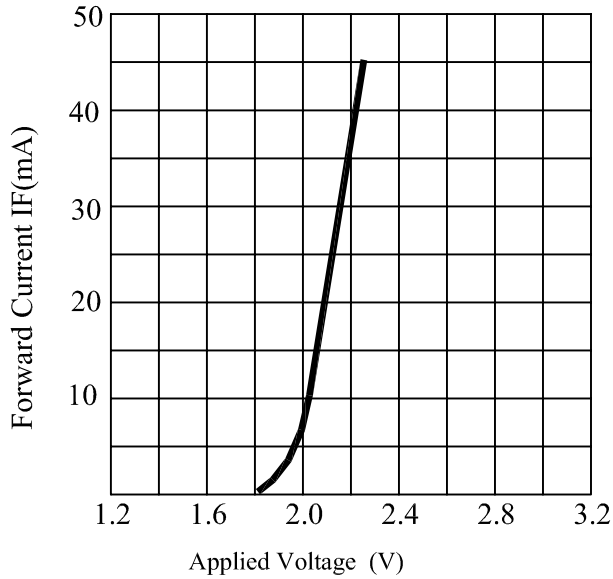
**Electrical and Optical Characteristics :**

Parameter	Symbol	Condition	Min.	Typ.	Max.	Unit
Luminous Intensity	Iv	If=20mA	6.5	11.0		mcd
Forward Voltage	Vf	If=20mA		2.1	2.6	V
Peak Wavelength	$\lambda P$	If=20mA		585		nm
Dominant Wavelength	$\lambda D$	If=20mA		590		nm
Reverse Current	Ir	Vr=5V			100	$\mu A$
Viewing Angle	$2\theta 1/2$	If=20mA		84		deg
Spectrum Line Halfwidth	$\Delta \lambda$	If=20mA		35		nm

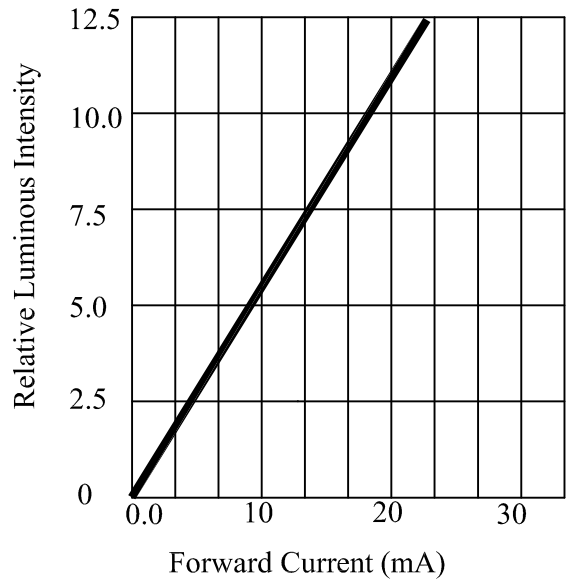


**2.0×5.0MM RECTANGULAR LED LAMP**  
**PART NO. : LT5231-41-D29**

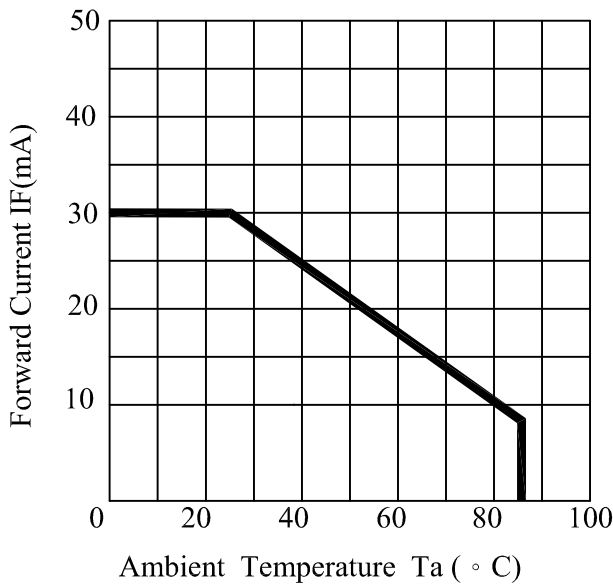
**Typical Electrical / Optical Characteristics Curves :**



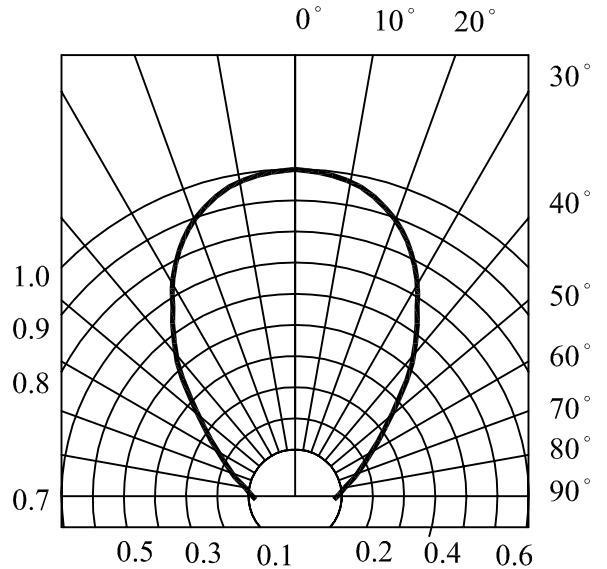
FORWARD CURRENT VS. APPLIED VOLTAGE



FORWARD CURRENT VS. LUMINOUS INTENSITY



AMBIENT TEMPERATURE VS. FORWARD CURRENT



RADIATION DIAGRAM



## 2.0×5.0MM RECTANGULAR LED LAMP

PART NO. : LT5231-41-D29

Page : 4/5

### Reliability Test Method :

Test Item	Test Condition	Duration Time
Operation Life	If=20mA / Ta=25°C	168hrs
Storage at High Temperature	Ta=100°C	168hrs
Storage at Low Temperature	Ta=-40°C	168hrs
Storage at High Temperature/High Humidity	Ta=85°C /RH=85%	168hrs
Operating at High Temperature	Ta=85°C / If=20mA	168hrs
Operating at Low Temperature	Ta=25°C / If=20mA	168hrs
Thermal Shock	Ta/T=100°C/30min~ -40°C/30min	10 cycles
Solderability	Tsol=230°C	5 sec

### Criteria for Judging The Damage:

Item	Symbol	Test Condition	Criteria for Judgment	
			Min.	Max.
Forward Voltage	Vf	If=20mA	-----	Initial Data x1.1
Reverse Current	Ir	Vr=5V	-----	100 $\mu$ A
Luminous Intensity	Iv	If=20mA	Initial Data x0.8	-----

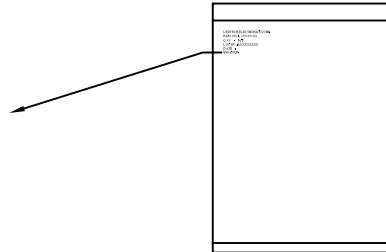


**2.0×5.0MM RECTANGULAR LED LAMP**  
**PART NO. : LT5231-41-D29**

ENCASED TYPE

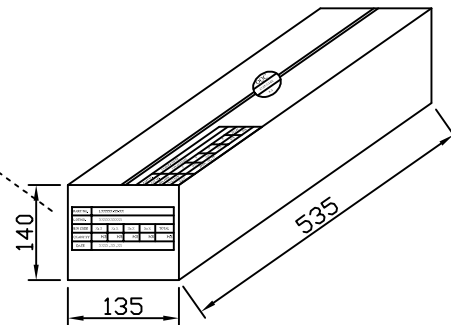
PLASTIC PACKAGE  
 QUANTITY: 1,000 PCS

LEDTECH ELECTRONICS CORP.				
PART NO :LTXXXX-XX				
Q'TY	:	PCS		
LOT NO	:	XXXXXXXXXX		
DATE	:			
BIN CODE:				



INNER BOX  
 QUANTITY: 15 PACKETS  
 TOTAL: 15,000 PCS

PART NO.	LXXXX-XX-XX				
LOT NO.	XXXXXXXXXX				
BIN CODE	Xx X	Xx X	Xx X	Xx X	TOTAL
QUANTITY	PCS	PCS	PCS	PCS	PCS
DATE	XXXX , XX , XX				



OUTER CARTON  
 QUANTITY: 4 BOX  
 TOTAL: 60,000 PCS

C/T NO. 箱 號	XX
PART NO. 料 號	LXXXX-XX-XX
QUANTITY 數 量	PCS
N.W. 淨 重	KGS
G.W. 毛 重	KGS
REMARK 備 註	

