



VNH3ASP30-E

AUTOMOTIVE FULLY INTEGRATED H-BRIDGE MOTOR DRIVER

TARGET SPECIFICATION

Table 1. General Features

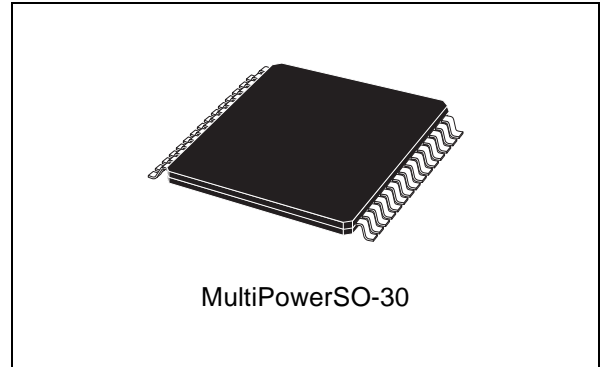
TYPE	R _{DS(on)}	I _{OUT}	V _{CCmax}
VNH3ASP30-E	42 mΩ max (per leg)	30 A	41 V

- OUTPUT CURRENT: 30A
- 5V LOGIC LEVEL COMPATIBLE INPUTS
- UNDERVOLTAGE AND OVERVOLTAGE SHUT-DOWN
- OVERVOLTAGE CLAMP
- THERMAL SHUT DOWN
- CROSS-CONDUCTION PROTECTION
- LINEAR CURRENT LIMITER
- VERY LOW STAND-BY POWER CONSUMPTION
- PWM OPERATION UP TO 20 KHz
- PROTECTION AGAINST:
LOSS OF GROUND AND LOSS OF V_{CC}
- CURRENT SENSE OUTPUT PROPORTIONAL TO MOTOR CURRENT
- IN COMPLIANCE WITH THE 2002/95/EC EUROPEAN DIRECTIVE

DESCRIPTION

The VNH3ASP30-E is a full bridge motor driver intended for a wide range of automotive applications. The device incorporates a dual monolithic High-Side drivers and two Low-Side switches. The High-Side driver switch is designed using STMicroelectronics' well known and proven proprietary VIPower™ M0 technology that allows to efficiently integrate on the same die a true Power MOSFET with an intelligent signal/protection circuitry.

Figure 1. Package



The Low-Side switches are vertical MOSFETs manufactured using STMicroelectronics' proprietary EHD ('STripFET™') process. The three dice are assembled in MultiPowerSO-30 package on electrically isolated leadframes. This package, specifically designed for the harsh automotive environment offers improved thermal performance thanks to exposed die pads. Moreover, its fully symmetrical mechanical design allows superior manufacturability at board level. The input signals IN_A and IN_B can directly interface to the microcontroller to select the motor direction and the brake condition. The DIAG_A/EN_A or DIAG_B/EN_B, when connected to an external pull-up resistor, enable one leg of the bridge. They also provide a feedback digital diagnostic signal. The normal condition operation is explained in the truth table on page 7. The CS pin allows to monitor the motor current by delivering a current proportional to its value. The PWM, up to 20KHz, lets us to control the speed of the motor in all possible conditions. In all cases, a low level state on the PWM pin will turn off both the LS_A and LS_B switches. When PWM rises to a high level, LS_A or LS_B turn on again depending on the input pin state.

Table 2. Order Codes

Package	Tube	Tape and Reel
MultiPowerSO-30	VNH3ASP30-E	VNH3ASP30TR-E

Figure 2. Block Diagram

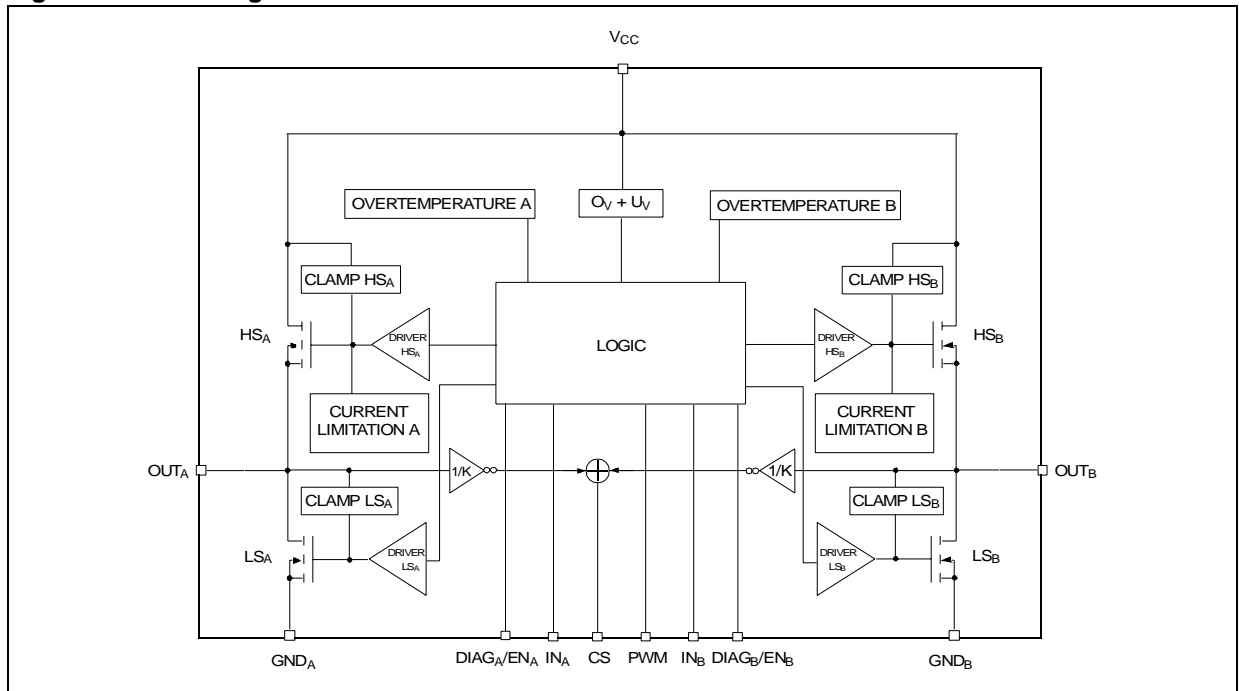


Figure 3. Configuration Diagram (Top View)

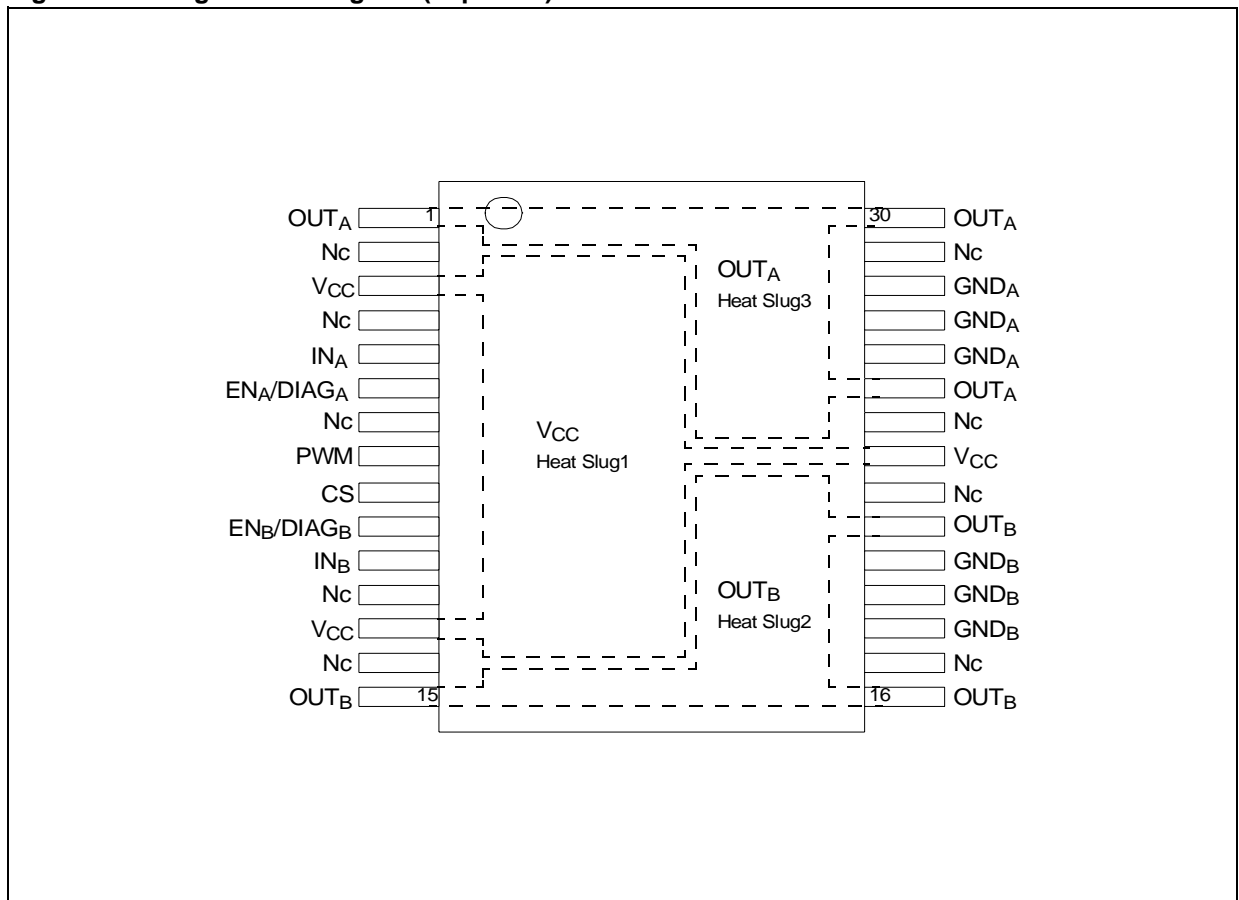


Table 3. Pin Definitions And Functions

Pin No	Symbol	Function
1, 25, 30	OUT _A , Heat Slug2	Source of High-Side Switch A / Drain of Low-Side Switch A
2,4,7,12,14,17, 22, 24,29	NC	Not connected
3, 13, 23	VCC, Heat Slug1	Drain of High-Side Switches and Power Supply Voltage
6	EN _A /DIAG _A	Status of High-Side and Low-Side Switches A; Open Drain Output
5	IN _A	Clockwise Input
8	PWM	PWM Input
9	CS	Output of Current sense
11	IN _B	Counter Clockwise Input
10	EN _B /DIAG _B	Status of High-Side and Low-Side Switches B; Open Drain Output
15, 16, 21	OUT _B , Heat Slug3	Source of High-Side Switch B / Drain of Low-Side Switch B
26, 27, 28	GND _A	Source of Low-Side Switch A (*)
18, 19, 20	GND _B	Source of Low-Side Switch B (*)

Note: (*) GND_A and GND_B must be externally connected together.

Table 4. Pin Functions Description

Name	Description
VCC	Battery connection.
GND _A GND _B	Power grounds, must always be externally connected together.
OUT _A OUT _B	Power connections to the motor.
IN _A IN _B	Voltage controlled input pins with hysteresis, CMOS compatible. These two pins control the state of the bridge in normal operation according to the truth table (brake to VCC, Brake to GND, clockwise and counterclockwise).
PWM	Voltage controlled input pin with hysteresis, CMOS compatible. Gates of Low-Side FETS get modulated by the PWM signal during their ON phase allowing speed control of the motor
EN _A /DIAG _A EN _B /DIAG _B	Open drain bidirectional logic pins. These pins must be connected to an external pull up resistor. When externally pulled low, they disable half-bridge A or B. In case of fault detection (thermal shutdown of a High-Side FET or excessive ON state voltage drop across a Low-Side FET), these pins are pulled low by the device (see truth table in fault condition).
CS	Analog current sense output. This output sources a current proportional to the motor current. The information can be read back as an analog voltage across an external resistor.

Table 5. Block Descriptions (see Block Diagram)

Name	Description
LOGIC CONTROL	Allows the turn-on and the turn-off of the High Side and the Low Side switches according to the truth table.
OVERVOLTAGE + UNDERVOLTAGE	Shut-down the device outside the range [5.5V..16V] for the battery voltage.
HIGH SIDE AND LOW SIDE CLAMP VOLTAGE	Protect the High Side and the Low Side switches from the high voltage on the battery line in all configuration for the motor.
HIGH SIDE AND LOW SIDE DRIVER	Drive the gate of the concerned switch to allow a proper R _{DS(on)} for the leg of the bridge.
LINEAR CURRENT LIMITER	Limits the motor current, by reducing the High Side Switch gate-source voltage when short-circuit to ground occurs.
OVERTEMPERATURE PROTECTION	In case of short-circuit with the increase of the junction's temperature, shuts-down the concerned High Side to prevent its degradation and to protect the die.
FAULT DETECTION	Signalize an abnormal behavior of the switches in the half-bridge A or B by pulling low the concerned ENx/DIAGx pin.

Table 6. Absolute Maximum Rating

Symbol	Parameter	Value	Unit
V _{CC}	Supply Voltage	+ 41	V
I _{max}	Maximum Output Current (continuous)	30	A
I _R	Reverse Output Current (continuous)	-30	A
I _{IN}	Input Current (IN _A and IN _B pins)	+/- 10	mA
I _{EN}	Enable Input Current (DIAG _A /EN _A and DIAG _B /EN _B pins)	+/- 10	mA
I _{pw}	PWM Input Current	+/- 10	mA
V _{CS}	Current Sense Maximum Voltage	-3/+15	V
V _{ESD}	Electrostatic Discharge (R=1.5kΩ, C=100pF)		
	- CS pin	2	kV
	- logic pins	4	kV
	- output pins: OUT _A , OUT _B , V _{CC}	5	kV
T _j	Junction Operating Temperature	Internally Limited	°C
T _c	Case Operating Temperature	-40 to 150	°C
T _{STG}	Storage Temperature	-55 to 150	°C

Figure 4. Current and Voltage Conventions

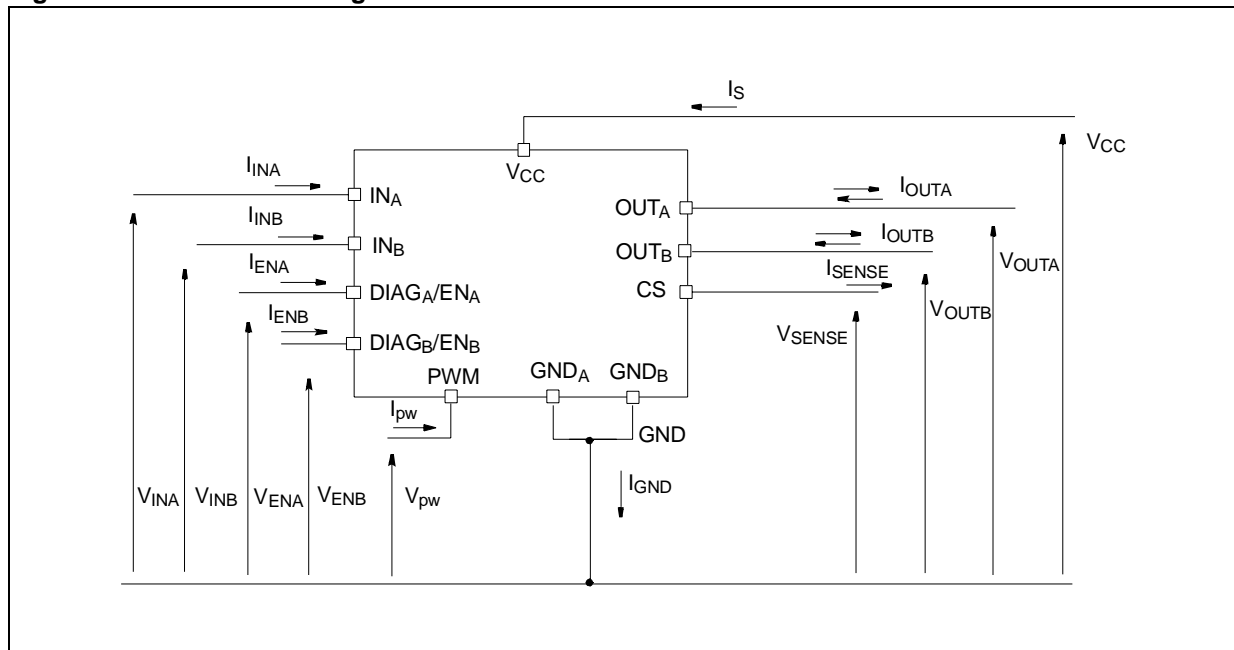


Table 7. Thermal Data

Symbol	Parameter	Value	Unit
R _{thj-case}	Thermal resistance junction-case (Per leg)	(MAX) 1.0	°C/W
R _{thj-amb} (*)	Thermal resistance junction-ambient	(MAX) 20	°C/W

Note: (*) When mounted using the recommended pad size on FR-4 board (see MultiPowerSO-30 Mechanical data).

ELECTRICAL CHARACTERISTICS

($V_{CC}=9V$ up to $16V$; $-40^{\circ}C < T_j < 150^{\circ}C$; unless otherwise specified)

Table 8. Power

Symbol	Parameter	Test Conditions	Min	Typ	Max	Unit
V_{CC}	Operating supply voltage		5.5		16	V
I_S	Supply Current	Off state: $I_{NA}=I_{NB}=PWM=0$; $T_j=25^{\circ}C$; $V_{CC}=13V$ $I_{NA}=I_{NB}=PWM=0$		12	30 TBD	μA μA
		On state: I_{NA} or $I_{NB}=5V$, no PWM I_{NA} or $I_{NB}=5V$; $PWM=20kHz$			10 TBD	mA mA
R_{ONHS}	Static High-Side resistance	$I_{OUT}=12A$; $T_j=25^{\circ}C$			30	$m\Omega$
		$I_{OUT}=12A$; $T_j = -40$ to $150^{\circ}C$			60	$m\Omega$
R_{ONLS}	Static Low-Side resistance	$I_{OUT}=12A$; $T_j=25^{\circ}C$			12	$m\Omega$
		$I_{OUT}=12A$; $T_j = -40$ to $150^{\circ}C$			24	$m\Omega$
V_f	High Side Free-wheeling Diode Forward Voltage	$I_f=12A$		0.8	1.1	V
$I_{L(off)}$	High Side Off State Output Current (per channel)	$T_j=25^{\circ}C$; $V_{OUTX}=ENX=0V$; $V_{CC}=13V$			3	μA
		$T_j=125^{\circ}C$; $V_{OUTX}=ENX=0V$; $V_{CC}=13V$			5	μA
I_{RM}	Dynamic Cross-conduction Current	$I_{OUT}=12A$ (see fig. 9)		1.7		A

Table 9. Logic Inputs (I_{NA} , I_{NB} , EN_A , EN_B)

Symbol	Parameter	Test Conditions	Min	Typ	Max	Unit
V_{IL}	Input Low Level Voltage	Normal operation ($DIAG_X/EN_X$ pin acts as an input pin)			1.25	V
V_{IH}	Input High Level Voltage	Normal operation ($DIAG_X/EN_X$ pin acts as an input pin)	3.25			V
V_{IHYST}	Input Hysteresis Voltage	Normal operation ($DIAG_X/EN_X$ pin acts as an input pin)	0.5			V
V_{ICL}	Input Clamp Voltage	$I_{IN}=1mA$	5.5	6.3	7.5	V
		$I_{IN}=-1mA$	-1.0	-0.7	-0.3	V
I_{INL}	Input Current	$V_{IN}=1.25V$	1			μA
I_{INH}	Input Current	$V_{IN}=3.25V$			10	μA
V_{DIAG}	Enable Output Low Level Voltage	Fault operation ($DIAG_X/EN_X$ pin acts as an output pin); $I_{EN}=1mA$			0.4	V

ELECTRICAL CHARACTERISTICS (continued)

Table 10. PWM

Symbol	Parameter	Test Conditions	Min	Typ	Max	Unit
V_{pwl}	PWM Low Level Voltage				1.25	V
I_{pwl}	PWM Pin Current	$V_{pw}=1.25V$	1			μA
V_{pwh}	PWM High Level Voltage		3.25			V
I_{pwh}	PWM Pin Current	$V_{pw}=3.25V$			10	μA
V_{pwhyst}	PWM Hysteresis Voltage		0.5			V
V_{pwcl}	PWM Clamp Voltage	$I_{pw} = 1 \text{ mA}$ $I_{pw} = -1 \text{ mA}$	$V_{CC}+0.3$ -6.0	$V_{CC}+0.7$ -4.5	$V_{CC}+1.0$ -3.0	V V
C_{INPWM}	PWM Pin Input Capacitance	$V_{IN}=2.5V$			25	pF

Table 11. Switching ($V_{CC}=13V$, $R_{LOAD}=1\Omega$)

Symbol	Parameter	Test Conditions	Min	Typ	Max	Unit
f	PWM Frequency		0		20	kHz
$t_{d(on)}$	Turn-on Delay Time	Input rise time < $1\mu s$ (see fig. 8)			250	μs
$t_{d(off)}$	Turn-off Delay Time	Input rise time < $1\mu s$ (see fig. 8)			250	μs
t_r	Rise Time	(see fig. 7)		1	2	μs
t_f	Fall Time	(see fig. 7)		1	2	μs
t_{DEL}	Delay Time During Change of Operating Mode	(see fig. 6)	300	600	1800	μs
t_{rr}	High Side Free Wheeling Diode Reverse Recovery Time	(see fig. 9)		110		ns

Table 12. Protection And Diagnostic

Symbol	Parameter	Test Conditions	Min	Typ	Max	Unit
V_{USD}	Undervoltage Shut-down				5.5	V
	Undervoltage Reset			4.7		V
V_{OV}	Overvoltage Shut-down		16	19	22	V
I_{LIM}	High-Side Current Limitation		30	45	60	A
V_{CLP}	Total Clamp Voltage (V_{CC} to GND)	$I_{OUT}=12A$	43	48	54	V
T_{TSD}	Thermal Shut-down Temperature	$V_{IN} = 3.25 V$	150	175	200	$^{\circ}C$
T_{TR}	Thermal Reset Temperature		135			$^{\circ}C$
T_{HYST}	Thermal Hysteresis		7	15		$^{\circ}C$

ELECTRICAL CHARACTERISTICS (continued)

Table 13. Current Sense ($9V < V_{CC} < 16V$)

Symbol	Parameter	Test Conditions	Min	Typ	Max	Unit
K_1	I_{OUT}/I_{SENSE}	$I_{OUT}=30A$; $R_{SENSE}=700\Omega$ $T_J = -40$ to $150^\circ C$	4000	4700	5400	
K_2	I_{OUT}/I_{SENSE}	$I_{OUT}=8A$; $R_{SENSE}=700\Omega$ $T_J = -40$ to $150^\circ C$	3750	4700	5650	
dK_1 / K_1 (*)	Analog sense current drift	$I_{OUT}=30A$; $R_{SENSE}=700\Omega$ $T_J = -40$ to $150^\circ C$	-8		+8	%
dK_2 / K_2 (*)	Analog sense current drift	$I_{OUT} > 8A$; $R_{SENSE}=700\Omega$ $T_J = -40$ to $150^\circ C$	-10		+10	%
I_{SENSEO}	Analog Sense Leakage Current	$I_{OUT}=0A$; $V_{SENSE}=0V$; $T_J = -40$ to $150^\circ C$	0		70	μA

Note:(*) Analog sense current drift is deviation of factor K for a given device over ($-40^\circ C$ to $150^\circ C$ and $9V < V_{CC} < 16V$) with respect to it's value measured at $T_J=25^\circ C$, $V_{CC}=13V$.

WAVEFORMS AND TRUTH TABLE

Table 14. Truth Table In Normal Operating Conditions

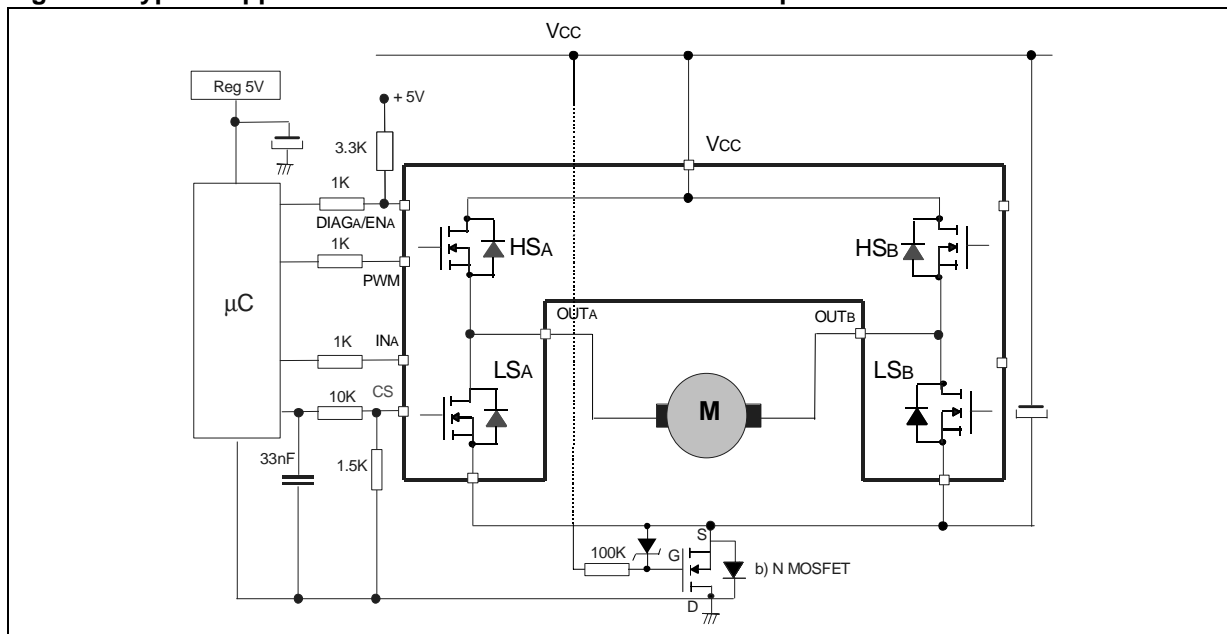
In normal operating conditions the $DIAG_x/EN_x$ pin is considered as an input pin by the device. This pin must be externally pulled high.

PWM pin usage:

In all cases, a "0" on the PWM pin will turn-off both LS_A and LS_B switches. When PWM rises back to "1", LS_A or LS_B turn on again depending on the input pin state.

IN_A	IN_B	$DIAG_A/EN_A$	$DIAG_B/EN_B$	OUT_A	OUT_B	CS	Operating mode
1	1	1	1	H	H	High Imp.	Brake to V_{CC}
1	0	1	1	H	L	$I_{SENSE}=I_{OUT}/K$	Clockwise (CW)
0	1	1	1	L	H	$I_{SENSE}=I_{OUT}/K$	Counterclockwise (CCW)
0	0	1	1	L	L	High Imp.	Brake to GND

Figure 5. Typical Application Circuit For Dc To 20KHz PWM Operation



In case of a fault condition the DIAG_X/EN_X pin is considered as an output pin by the device.

The fault conditions are:

- overtemperature on one or both high sides (for example if a short to ground occurs as it could be the case described in line 1 and 2 in the table below);
- short to battery condition on the output (saturation detection on the Low-Side Power MOSFET).

Possible origins of fault conditions may be:

OUT_A is shorted to ground ---> overtemperature detection on high side A.

OUT_A is shorted to V_{CC} ---> Low-Side Power MOSFET saturation detection.

When a fault condition is detected, the user can know which power element is in fault by monitoring the IN_A, IN_B, DIAG_A/EN_A and DIAG_B/EN_B pins. In any case, when a fault is detected, the faulty leg of the bridge is latched off. To turn-on the respective output (OUT_X) again, the input signal must rise from low to high level.

Table 15. Truth Table In Fault Conditions (detected on OUT_A)

IN _A	IN _B	DIAG _A /EN _A	DIAG _B /EN _B	OUT _A	OUT _B	CS
1	1	0	1	OPEN	H	High Imp.
1	0	0	1	OPEN	L	High Imp.
0	1	0	1	OPEN	H	I _{OUTB} /K
0	0	0	1	OPEN	L	High Imp.
X	X	0	0	OPEN	OPEN	High Imp.
X	1	0	1	OPEN	H	I _{OUTB} /K
X	0	0	1	OPEN	L	High Imp.

↑
Fault Information

↑
Protection Action

Table 16. Electrical Transient Requirements

ISO T/R 7637/1 Test Pulse	Test Level I	Test Level II	Test Level III	Test Level IV	Test Levels Delays and Impedance
1	-25V	-50V	-75V	-100V	2ms, 10Ω
2	+25V	+50V	+75V	+100V	0.2ms, 10Ω
3a	-25V	-50V	-100V	-150V	0.1μs, 50Ω
3b	+25V	+50V	+75V	+100V	0.1μs, 50Ω
4	-4V	-5V	-6V	-7V	100ms, 0.01Ω
5	+26.5V	+46.5V	+66.5V	+86.5V	400ms, 2Ω

ISO T/R 7637/1 Test Pulse	Test Levels Result I	Test Levels Result II	Test Levels Result III	Test Levels Result IV
1	C	C	C	C
2	C	C	C	C
3a	C	C	C	C
3b	C	C	C	C
4	C	C	C	C
5	C	E	E	E

Class	Contents
C	All functions of the device are performed as designed after exposure to disturbance.
E	One or more functions of the device are not performed as designed after exposure to disturbance and cannot be returned to proper operation without replacing the device.

Reverse Battery Protection

Three possible solutions can be thought of:

- a) a Schottky diode D connected to V_{CC} pin
- b) a N-channel MOSFET connected to the GND pin (see Typical Application Circuit on fig. 5)
- c) a P-channel MOSFET connected to the V_{CC} pin.

The device sustains no more than -30A in reverse battery conditions because of the two Body diodes of the Power MOSFETs. Additionally, in reverse battery condition the I/Os of VNH3ASP30 will be pulled down to the V_{CC} line (approximately -1.5V). Series resistor must be inserted to limit the current sunk from the microcontroller I/Os. If I_{Rmax} is the maximum target reverse current through μC I/Os, series resistor is:

$$R = \frac{V_{IOs} - V_{CC}}{I_{Rmax}}$$

Figure 6. Definition Of The Delay Times Measurement

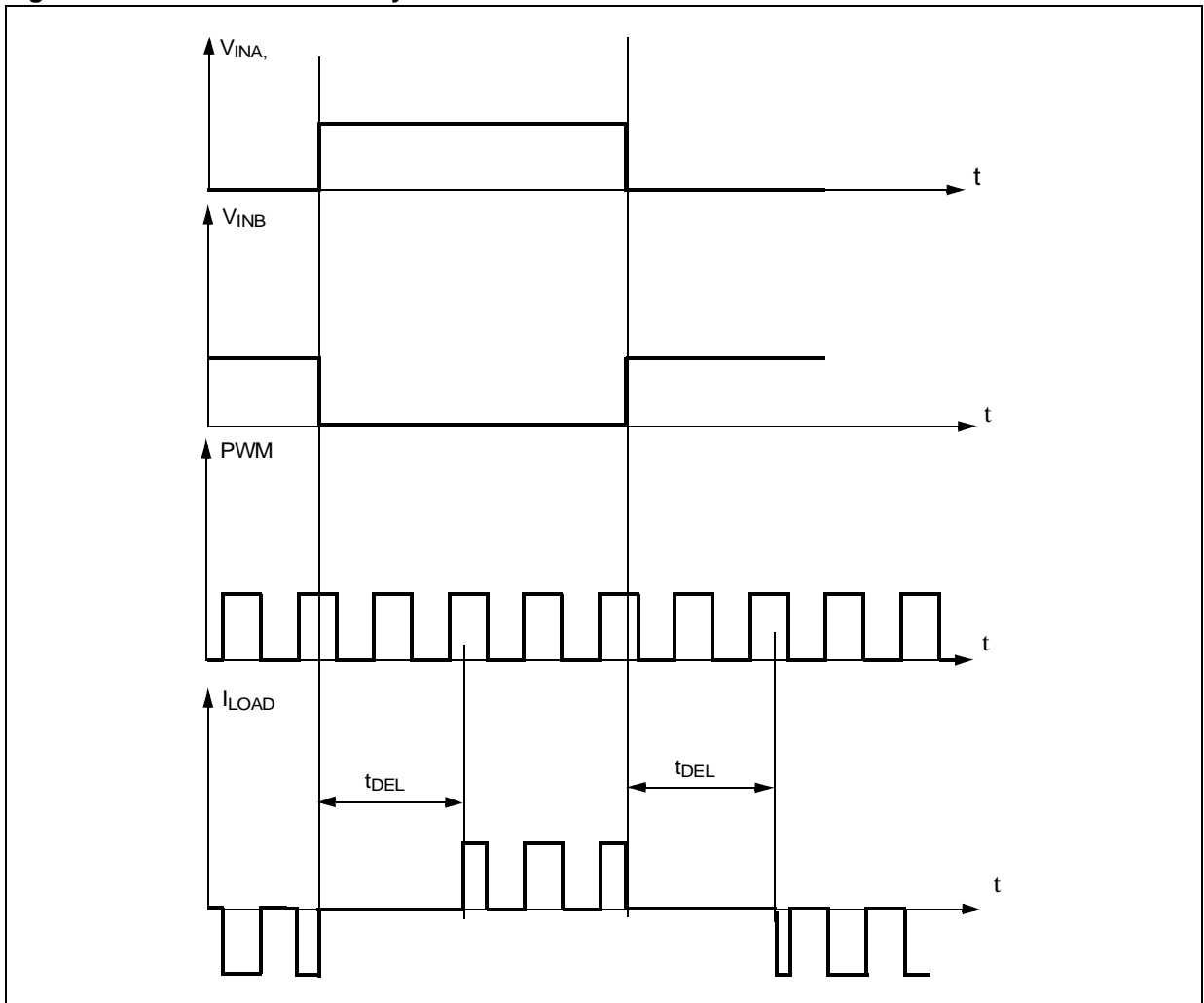


Figure 7. Definition Of The Low Side Switching Times

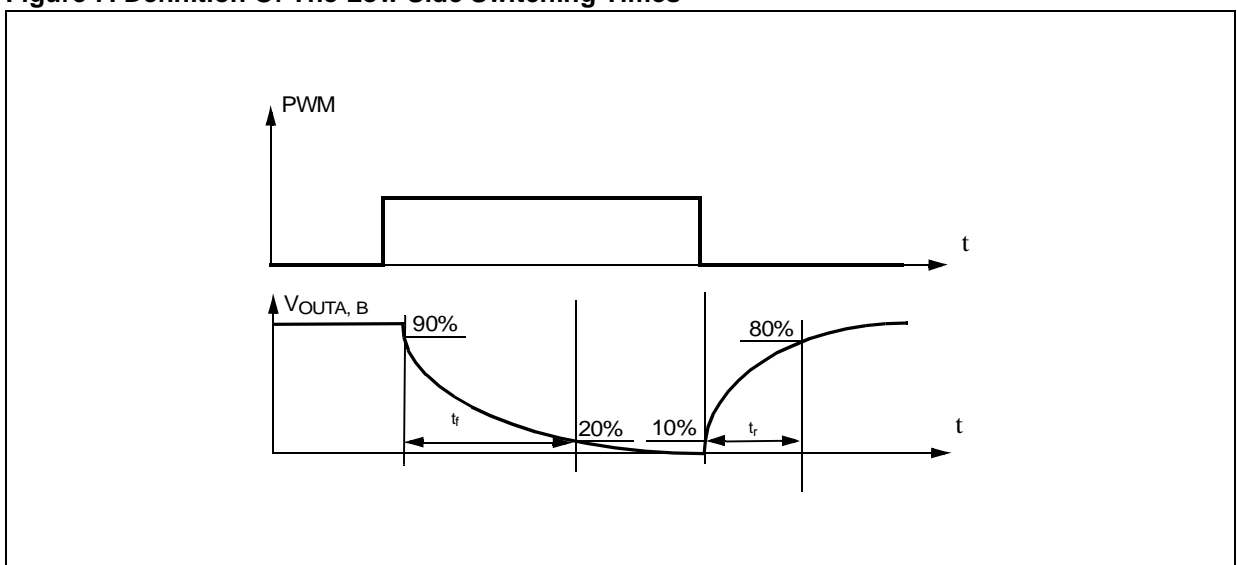


Figure 8. Definition Of The High Side Switching Times

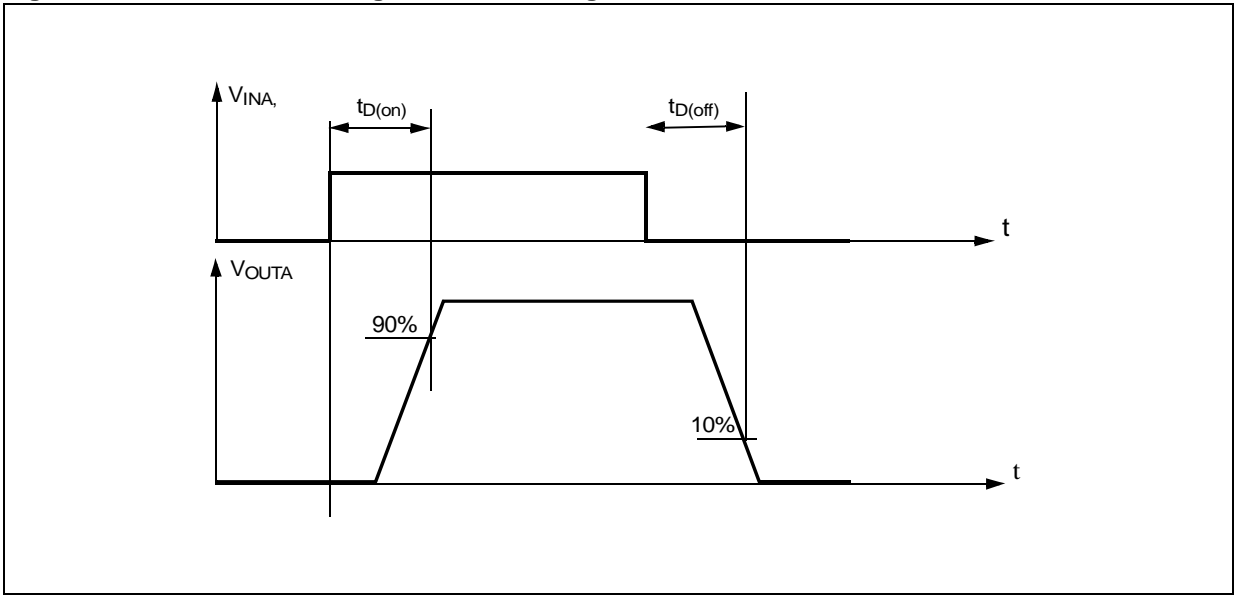


Figure 9. Definition Of Dynamic Cross Conduction Current During A PWM Operation

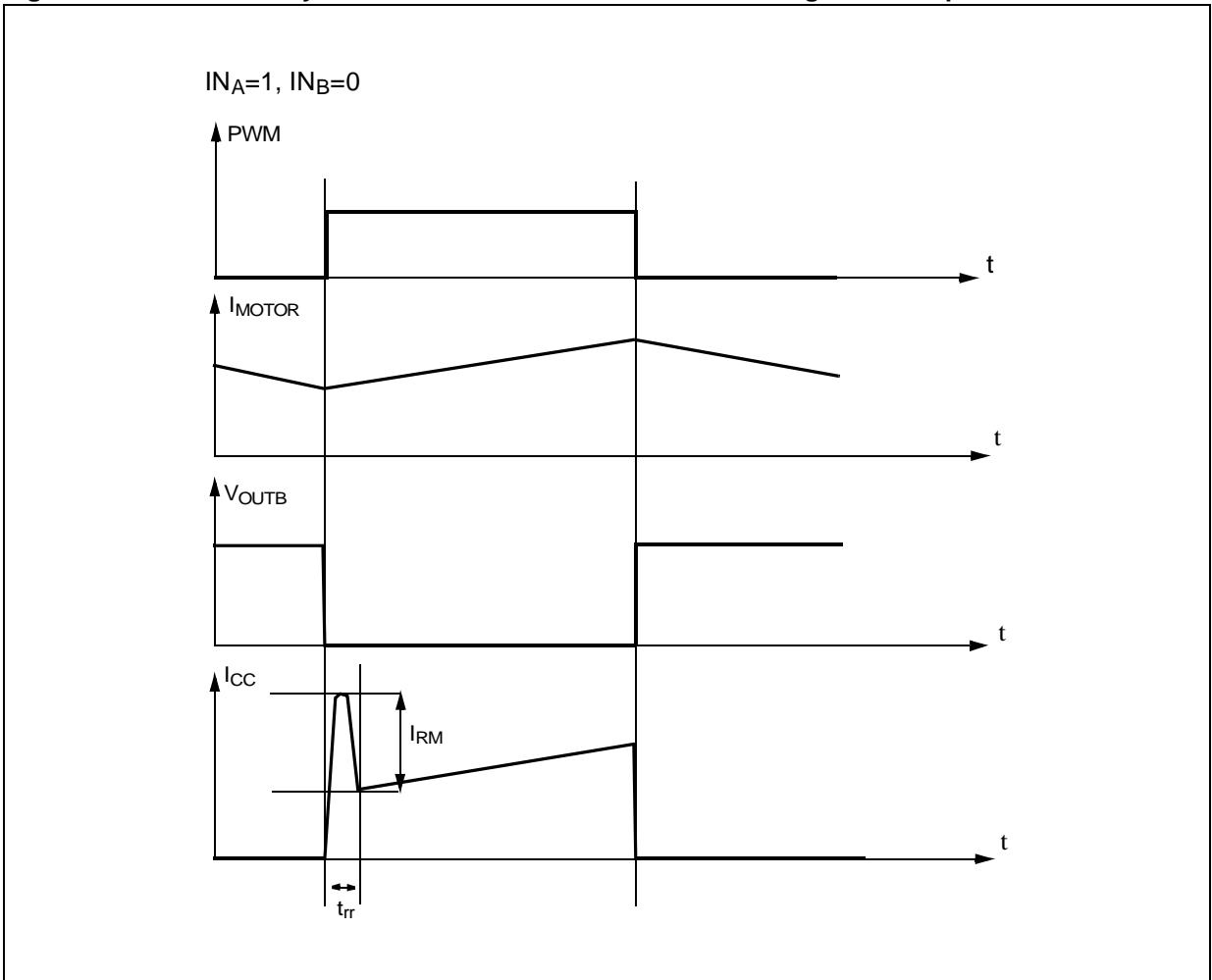


Figure 10. Waveforms in full bridge operation

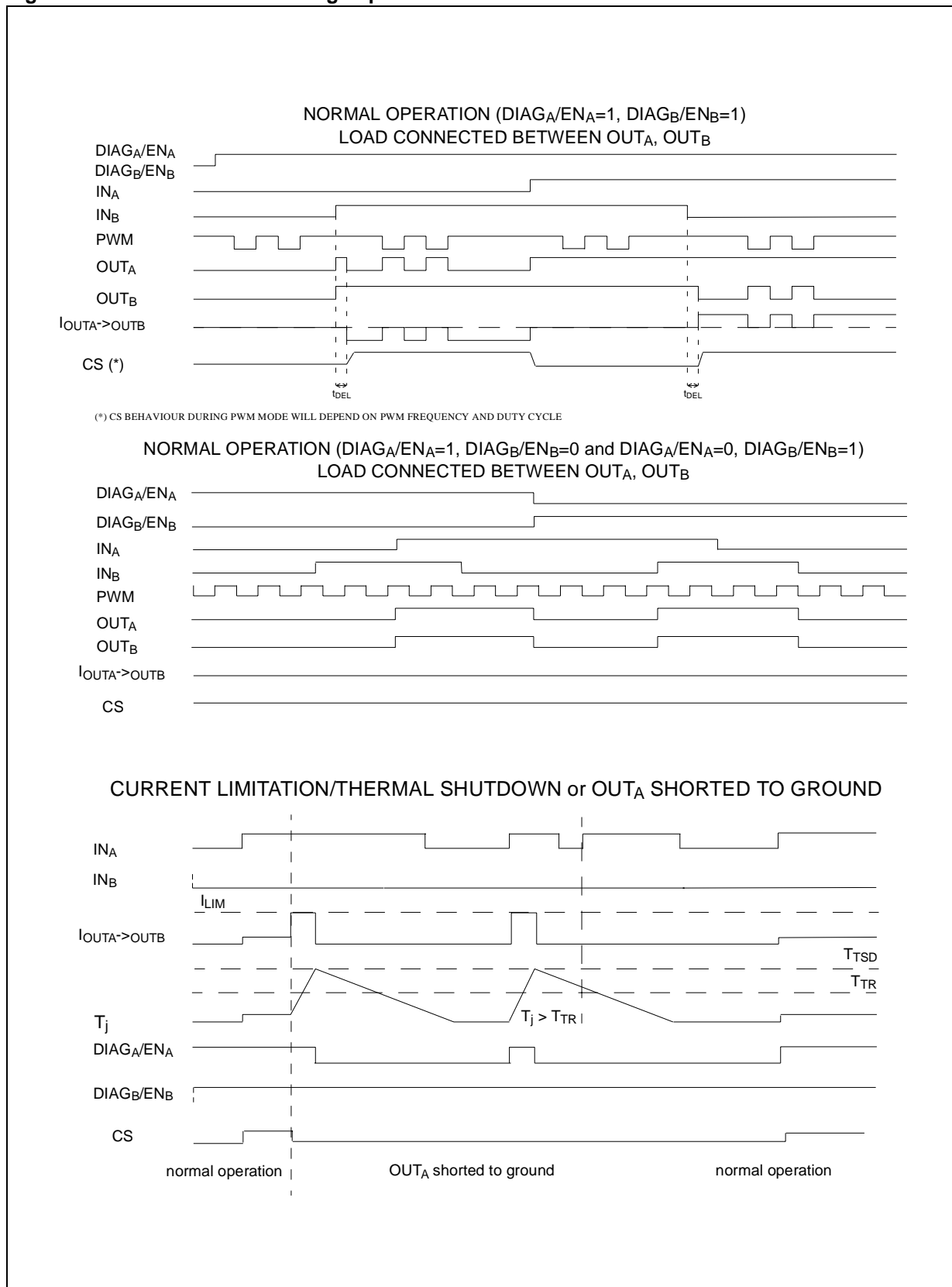


Figure 11. Waveforms In Full Bridge Operation (continued)

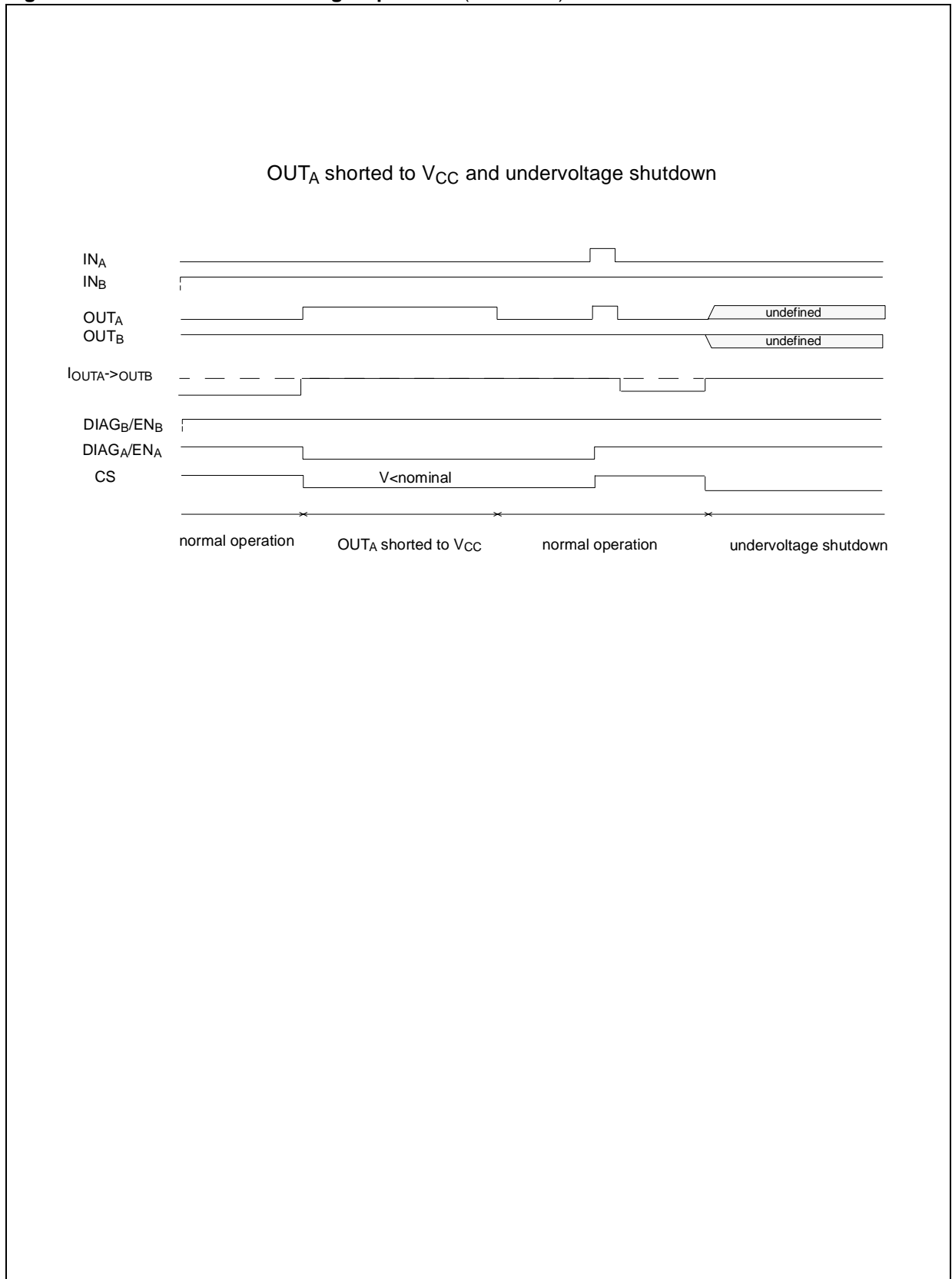


Figure 12. Half-bridge Configuration

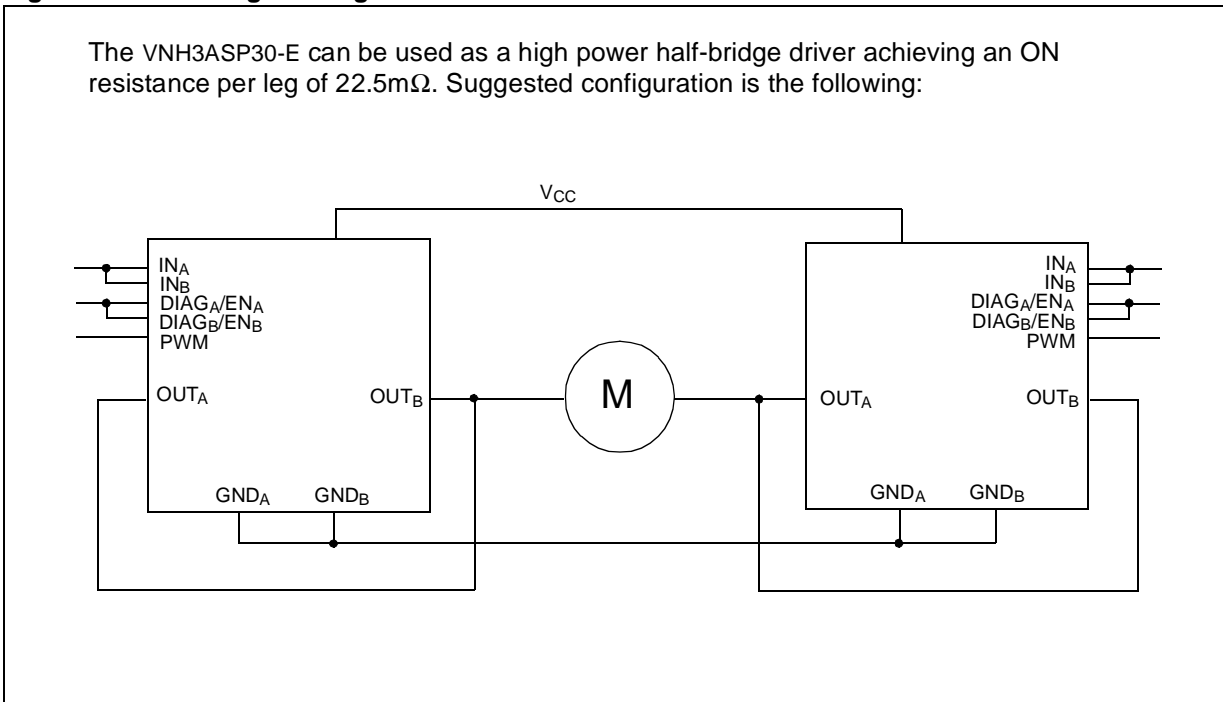
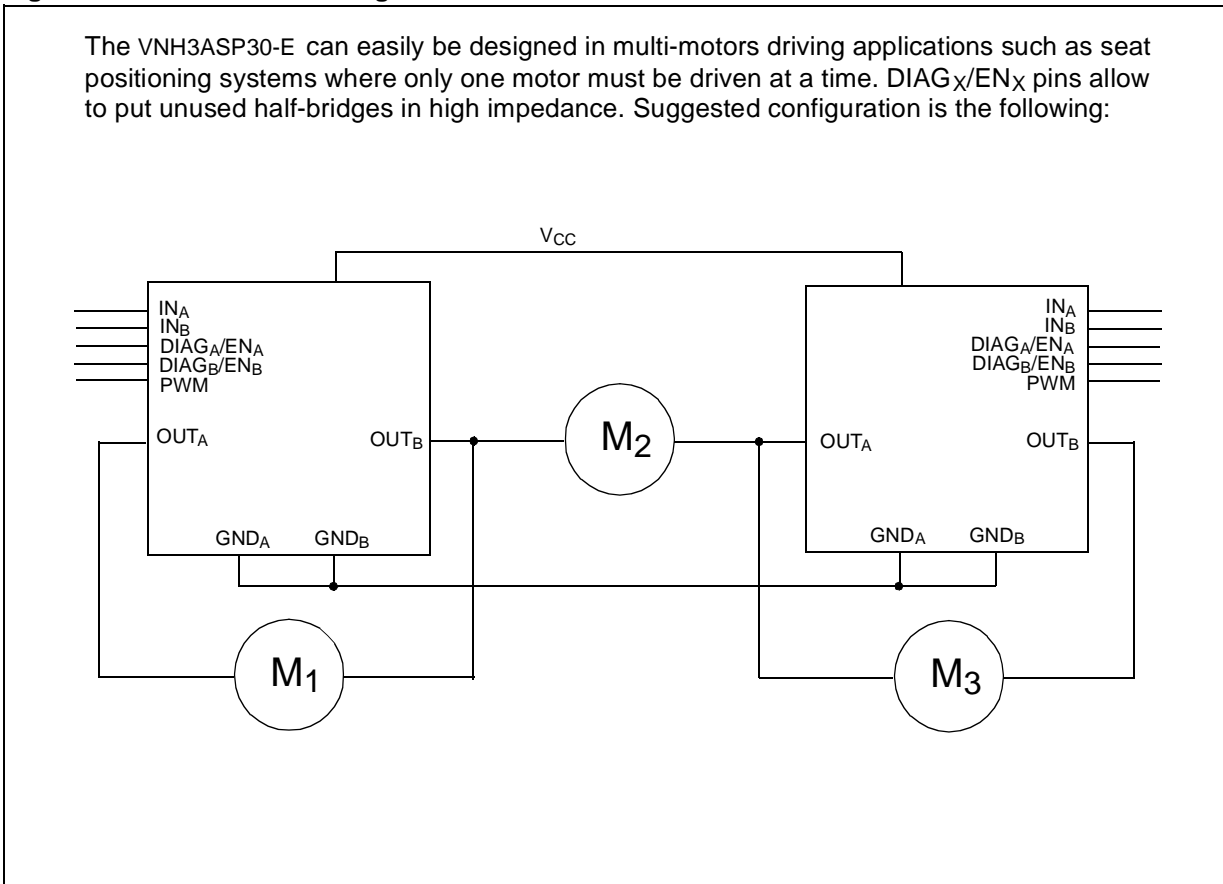


Figure 13. Multi-motors Configuration



PACKAGE MECHANICAL

Table 17. MultiPowerSO-30 Mechanical Data

Symbol	millimeters		
	Min.	Typ	Max.
A			2.35
A2	1.85		2.25
A3	0		0.1
B	0.42		0.58
C	0.23		0.32
D	17.1	17.2	17.3
E	18.85		19.15
E1	15.9	16	16.1
e		1	
F1	5.55		6.05
F2	4.6		5.1
F3	9.6		10.1
L	0.8		1.15
N			10deg
S	0deg		7deg

Figure 14. MultiPowerSO-30 Package Dimensions

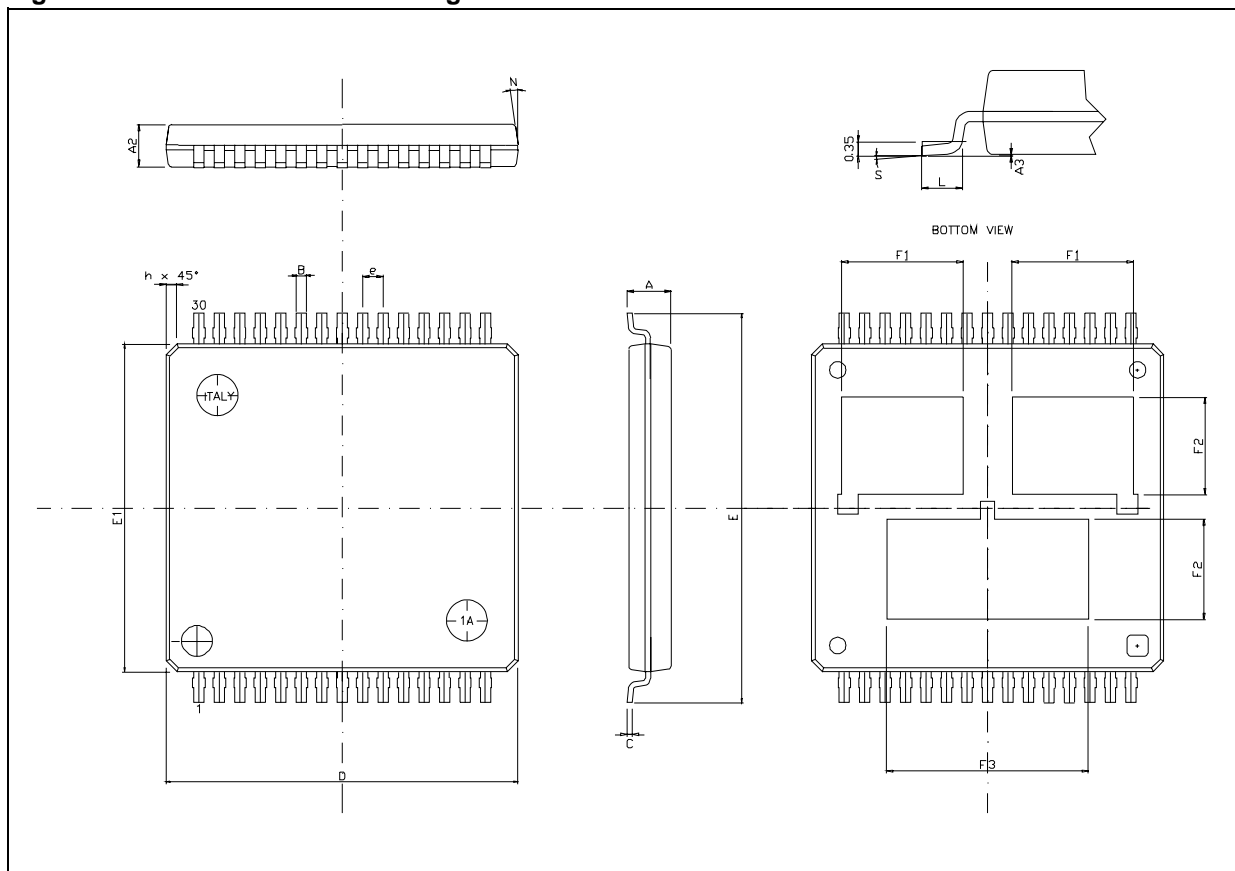
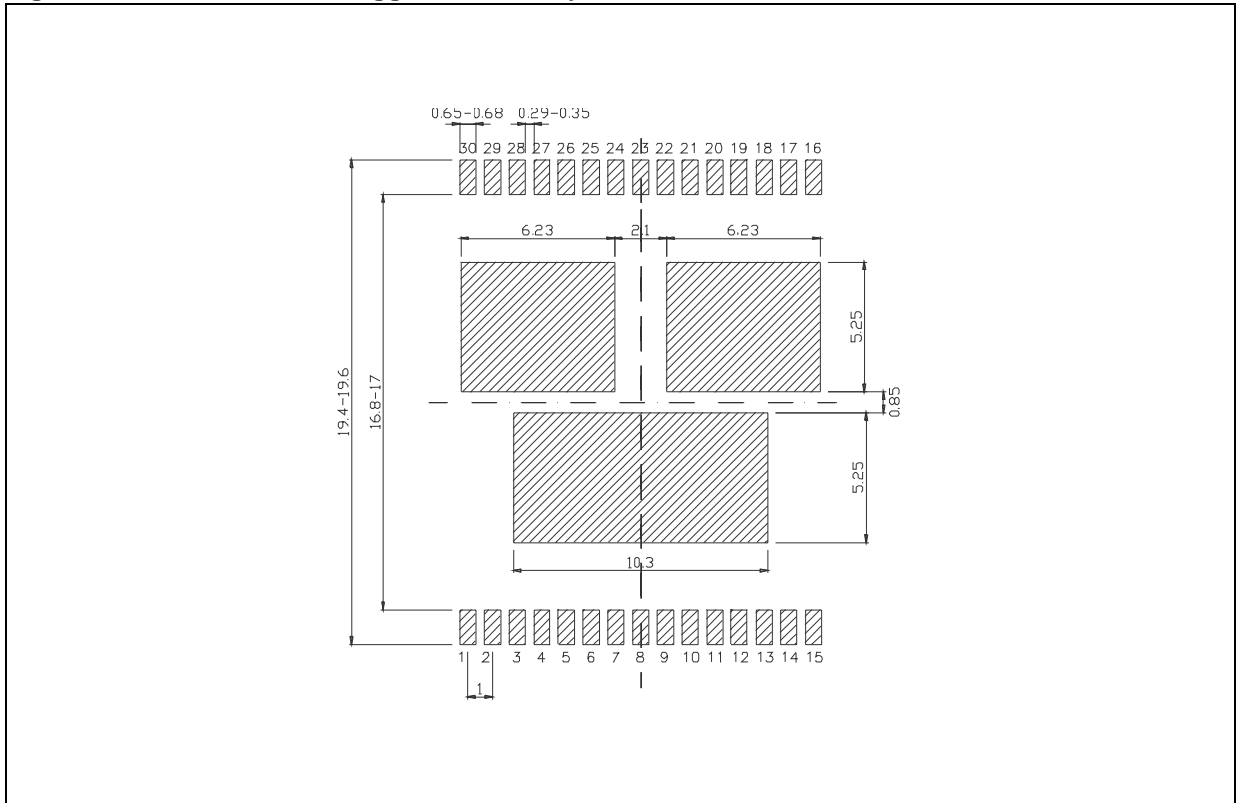


Figure 15. MultiPowerSO-30 Suggested Pad Layout



REVISION HISTORY

Date	Revision	Description of Changes
Sep. 2004	1	- First issue.

Information furnished is believed to be accurate and reliable. However, STMicroelectronics assumes no responsibility for the consequences of use of such information nor for any infringement of patents or other rights of third parties which may result from its use. No license is granted by implication or otherwise under any patent or patent rights of STMicroelectronics. Specifications mentioned in this publication are subject to change without notice. This publication supersedes and replaces all information previously supplied. STMicroelectronics products are not authorized for use as critical components in life support devices or systems without express written approval of STMicroelectronics.

The ST logo is a registered trademark of STMicroelectronics.
All other names are the property of their respective owners

© 2004 STMicroelectronics - All rights reserved

STMicroelectronics group of companies

Australia - Belgium - Brazil - Canada - China - Czech Republic - Finland - France - Germany - Hong Kong - India - Israel - Italy - Japan -
Malaysia - Malta - Morocco - Singapore - Spain - Sweden - Switzerland - United Kingdom - United States of America

www.st.com